

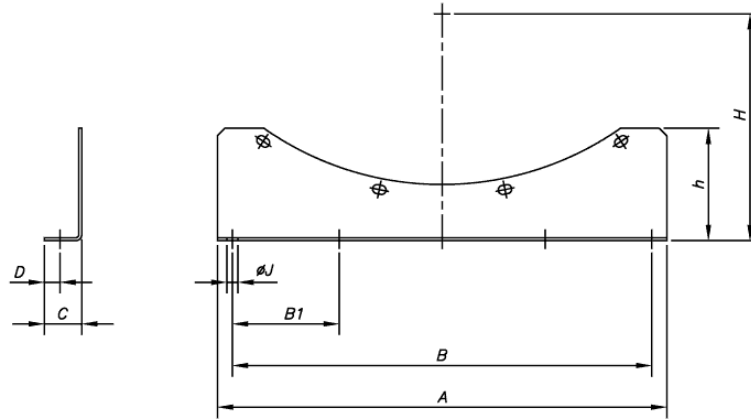
PS



Support stands for long-cased fans

Characteristics:

- When attached to the flange, facilitates anchoring on flat surfaces.



	A	B	B1	C	D	h	H	ØJ
PS-25/31	275	225	-	25	10.5	90	165	10
	275	225	-	25	10.5	90	191.5	10
PS-35/40	275	225	-	25	10.5	90	205	10
	240	200	-	30	13	60	230	10
PS-45/50	240	200	-	30	13	60	255.5	10
	450	400	200	35	14.5	125	278	12
PS-56/63	450	400	200	35	14.5	125	305	12
	520	430	215	40	17	155	338	13
PS-71	520	430	215	40	17	155	385.5	13
	490	450	225	50	21	150	445	13
PS-80	600	560	280	50	21	150	490	13
PS-90	620	560	280	60	28	175	547.5	18
PS-100	680	560	280	60	28	185	597.5	18
PS-125 < 20CV	1000	900	3x300	60	28	285	726.5	18
PS-125 ≥ 25CV	1000	900	3x300	60	28	285	726.5	18
PS-140	1100	1000	4x250	60	30	306	800	14
PS-160	1300	1200	4x300	60	25	290	890	14