

CJTHT

**Axial fans 400°C/2h, 300°C/2h and 200°C/2h.
With soundproofed box**



Extraction units with axial fans to work inside fire danger zones.



Detail CJTHT/ATEX

Fan:

- Sheet steel long casing fan.
- Galvanised sheet steel structure with thermal insulation and soundproofing.
- Variable angle impellers in cast aluminium.
- Approval according to Standard EN12101-3:2002/AC:2006, with certifications: 0370-CPR-0312 (F400), 0370-CPR-0974 (F300), 0370-CPR-0515 (F200).

Motor:

- Class H motors, ongoing use S1 and emergency use S2. With ball bearings, IP55 protection, and one- or two-speed depending on the model
- Three-phase 230/400V -50Hz. (up to 4HP) and 400/690V.-50Hz. (power over 4HP)
- Max. air temperature to transport: S1 Service -20°C. +40°C. for ongoing use. S2 Service 200°C/2h, 300°C/2h and 400°C/2h

Finish:

- Fan: Anti-corrosive finish in polyester resin, polymerised at 190°C after phosphate free pre-treatment
- Box: Anti-corrosive in galvanised sheet steel

Versions available:

- CJTHT: Axial ventilation units with soundproofed box
- CJTHT/ATEX: Axial fans with soundproofed box, with ATEX 3 Ex II3G certification for Zone 2 (only 400°C/2h and 300°C/2h).
- CJTHT/PLUS: Axial fans with noise reducer.

On request:

- Airflow direction from impeller to motor
- 100% reversible impellers.



Order code

From size 40 to size 100

CJTHT — 56 — 4T — 2 — F-400

CJTHT: 400°C/2h, 300°C/2h and 200°C/2h axial extraction units with soundproofed box

CJTHT/ATEX: 400°C/2h, 300°C/2h and 200°C/2h axial extraction units with ATEX certification

Impeller diameter in cm.

Number of motor pole
 2=2900 r/min. 50 Hz
 4=1400 r/min. 50 Hz
 6=900 r/min. 50 Hz
 8=750 r/min. 50 Hz
 12=500 r/min. 50 Hz

T=Three-phase

Motor power (HP)

F-200 Officially approved 200°C/2h
 F-300 Officially approved, tested for 300°C/2h
 F-400 Officially approved 400°C/2h
 CAT3: With ATEX certification, Category 3 Ex II3G.

Size 125

CJTHT — 125 — 4T / — 9-10 — 15 — F-400

CJTHT: 400°C/2h, 300°C/2h and 200°C/2h axial extraction units with soundproofed box

Impeller diameter in cm.

Number of motor pole
 2=2900 r/min. 50 Hz
 4=1400 r/min. 50 Hz
 6=900 r/min. 50 Hz
 8=750 r/min. 50 Hz
 12=500 r/min. 50 Hz

T=Three-phase

Number of blades
 3 blades
 6 blades
 9 blades

Angle of inclination of the blades

Motor power (HP)

F-200 Officially approved 200°C/2h
 F-300 Officially approved, tested for 300°C/2h
 F-400 Officially approved 400°C/2h
 CAT3: With ATEX certification, Category 3 Ex II3G.

Technical characteristics

Model	Speed (r/min)	Maximum admissible current (A)			Power installed (kW)	Tilting angle blades (°)	Airflow maximum (m³/h)	Sound pressure level dB(A)	Approx. weight (Kg)
		230V	400V	690V					
CJTHT-40-2/4T-1,5	2900 / 1450		2.90 / 1.10		1.10 / 0.25	20	7050 / 3525	73 / 58	50
CJTHT-40-2/4T-2	2940 / 1460		4.40 / 1.40		1.50 / 0.37	24	7950 / 3975	74 / 59	51
CJTHT-40-4T-0,75	1420	2.90	1.70		0.55	32	4800	61	41
CJTHT-40-6T-0,75	930	3.30	1.90		0.55	32	3150	51	49
CJTHT-40-6/12T-0,75	940 / 460		2.10 / 0.90		0.55 / 0.09	32	3150 / 1575	51 / 36	53
CJTHT-45-2/4T-2	2940 / 1460		4.40 / 1.40		1.50 / 0.37	16	9400 / 4700	75 / 60	53
CJTHT-45-2/4T-3	2930 / 1450		5.70 / 1.80		2.20 / 0.60	22	11350 / 5675	77 / 62	55
CJTHT-45-4T-0,75	1420	2.90	1.70		0.55	36	7450	65	43
CJTHT-45-6T-0,75	930	3.30	1.90		0.55	30	4450	53	51
CJTHT-45-6/12T-0,75	940 / 460		2.10 / 0.90		0.55 / 0.09	30	4450 / 2225	53 / 38	55
CJTHT-50-2/4T-4	2920 / 1440		6.70 / 2.00		3.00 / 0.80	16	13900 / 6950	79 / 64	62
CJTHT-50-2/4T-6	2930 / 1450		10.00 / 3.20		4.50 / 1.30	20	15900 / 7950	80 / 65	78
CJTHT-50-4T-1	1430	3.80	2.20		0.75	28	9750	66	50
CJTHT-50-6T-0,75	930	3.30	1.90		0.55	32	7000	55	52
CJTHT-50-6/12T-0,75	940 / 460		2.10 / 0.90		0.55 / 0.09	32	7000 / 3500	55 / 40	56
CJTHT-56-2/4T-6	2930 / 1450		10.00 / 3.20		4.50 / 1.30	16	18800 / 9400	85 / 69	87
CJTHT-56-2/4T-12	2920 / 1440		18.50 / 5.50		9.00 / 2.50	30	27200 / 13600	86 / 71	153
CJTHT-56-4T-1	1430	3.80	2.20		0.75	22	11250	70	59
CJTHT-56-4T-1,5	1420	4.70	2.70		1.10	30	13600	71	61
CJTHT-56-4/8T-1,5	1440 / 710		2.90 / 1.40		1.10 / 0.25	30	13600 / 6800	71 / 56	65
CJTHT-56-4T-2	1425	6.60	3.80		1.50	36	15050	72	63
CJTHT-56-4/8T-2	1415 / 715		3.60 / 1.50		1.50 / 0.30	36	15050 / 7525	72 / 57	69
CJTHT-56-6T-0,75	930	3.30	1.90		0.55	38	10150	60	61
CJTHT-56-6/12T-0,75	940 / 460		2.10 / 0.90		0.55 / 0.09	38	10150 / 5075	60 / 45	65
CJTHT-63-4T-1	1430	3.80	2.20		0.75	14	15200	70	63
CJTHT-63-4T-1,5	1420	4.70	2.70		1.10	20	17800	71	66
CJTHT-63-4/8T-1,5	1440 / 710		2.90 / 1.40		1.10 / 0.25	20	17800 / 8900	71 / 56	69
CJTHT-63-4T-2	1425	6.60	3.80		1.50	24	19300	72	67
CJTHT-63-4/8T-2	1415 / 715		3.60 / 1.50		1.50 / 0.30	24	19300 / 9650	72 / 57	74
CJTHT-63-4T-3	1435	9.20	5.30		2.20	32	22150	73	73
CJTHT-63-4/8T-3	1415 / 715		5.20 / 1.90		2.20 / 0.45	32	22150 / 11075	73 / 58	87
CJTHT-63-4T-4	1430	11.40	6.60		3.00	38	24250	74	78
CJTHT-63-4/8T-4	1420 / 705		6.90 / 2.30		3.00 / 0.60	38	24250 / 12125	74 / 59	91
CJTHT-63-6T-0,75	930	3.30	1.90		0.55	28	13600	63	66
CJTHT-63-6/12T-0,75	940 / 460		2.10 / 0.90		0.55 / 0.09	28	13600 / 6800	63 / 48	69
CJTHT-63-6T-1	940	4.40	2.60		0.75	38	15900	64	67
CJTHT-63-6/12T-1	935 / 430		2.50 / 1.03		0.75 / 0.15	38	15900 / 7950	64 / 49	71
CJTHT-71-4T-1,5	1420	4.70	2.70		1.10	12	19500	75	82
CJTHT-71-4/8T-1,5	1440 / 710		2.90 / 1.40		1.10 / 0.25	12	19500 / 9750	75 / 60	86
CJTHT-71-4T-2	1425	6.60	3.80		1.50	14	20900	76	84
CJTHT-71-4/8T-2	1415 / 715		3.60 / 1.50		1.50 / 0.30	14	20900 / 10450	76 / 61	91
CJTHT-71-4T-3	1435	9.20	5.30		2.20	22	25100	78	90
CJTHT-71-4/8T-3	1415 / 715		5.20 / 1.90		2.20 / 0.45	22	25100 / 12550	78 / 63	103
CJTHT-71-4T-4	1430	11.40	6.60		3.00	28	27500	79	95
CJTHT-71-4/8T-4	1420 / 705		6.90 / 2.30		3.00 / 0.60	28	27500 / 13750	79 / 64	108
CJTHT-71-6T-0,75	930	3.30	1.90		0.55	20	16100	65	82
CJTHT-71-6/12T-0,75	940 / 460		2.10 / 0.90		0.55 / 0.09	20	16100 / 8050	65 / 50	86
CJTHT-71-6T-1	940	4.40	2.60		0.75	26	17300	66	84
CJTHT-71-6/12T-1	935 / 430		2.50 / 1.03		0.75 / 0.15	26	17300 / 8650	66 / 51	87
CJTHT-71-6T-1,5	945	6.40	3.70		1.10	34	19950	67	86
CJTHT-71-6/12T-1,5	940 / 450		3.30 / 1.20		1.10 / 0.18	34	19950 / 9975	67 / 52	97
CJTHT-80-4T-3	1435	9.20	5.30		2.20	12	25450	79	98
CJTHT-80-4/8T-3	1415 / 715		5.20 / 1.90		2.20 / 0.45	12	25450 / 12725	79 / 64	111

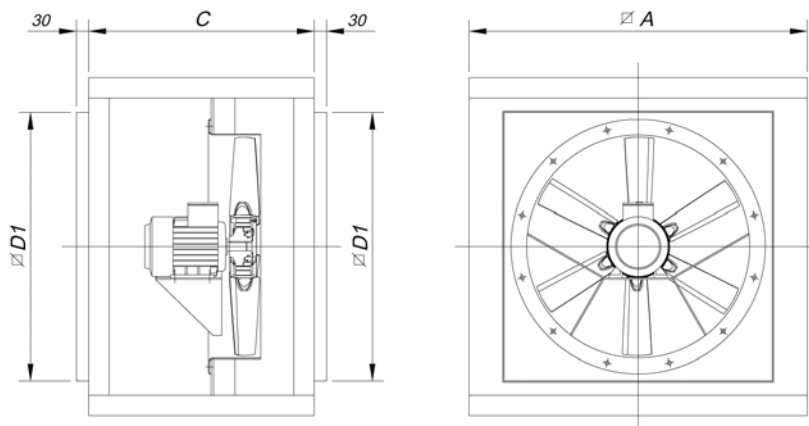
Technical characteristics

Model	Speed (r/min)	Maximum admissible current (A)			Power installed (kW)	Tilting angle blades (°)	Airflow maximum (m³/h)	Sound pressure level dB(A)	Approx. weight (Kg)
		230V	400V	690V					
CJTHT-80-4T-4	1430	11.40	6.60		3.00	16	30250	80	103
CJTHT-80-4/8T-4	1420 / 705		6.90 / 2.30		3.00 / 0.60	16	30250 / 15125	80 / 65	115
CJTHT-80-4T-5,5	1440		8.40	4.85	4.00	18	32750	81	113
CJTHT-80-4/8T-5,5	1450 / 720		9.40 / 3.50		4.00 / 0.80	18	32750 / 16375	81 / 66	147
CJTHT-80-6T-1,5	945	6.40	3.70		1.10	18	21450	70	95
CJTHT-80-6/12T-1,5	940 / 450		3.30 / 1.20		1.10 / 0.18	18	21450 / 10725	70 / 55	105
CJTHT-80-6T-2	945	7.40	4.30		1.50	26	25950	71	99
CJTHT-80-6/12T-2	960 / 470		4.30 / 1.70		1.50 / 0.25	26	25950 / 12975	71 / 56	113
CJTHT-80-6T-3	950	10.30	5.90		2.20	32	29950	72	113
CJTHT-80-6/12T-3	940 / 470		5.60 / 2.20		2.20 / 0.37	32	29950 / 14975	72 / 57	118
CJTHT-80-8T-0,75	700	3.60	2.10		0.55	20	17550	68	99
CJTHT-80-8T-1	710	4.80	2.80		0.75	28	20650	69	111
CJTHT-90-4T-4	1430	11.40	6.60		3.00	8	33600	84	127
CJTHT-90-4/8T-4	1420 / 705		6.90 / 2.30		3.00 / 0.60	8	33600 / 16800	84 / 69	139
CJTHT-90-4T-5,5	1440		8.40	4.85	4.00	12	38900	86	137
CJTHT-90-4/8T-5,5	1450 / 720		9.40 / 3.50		4.00 / 0.80	12	38900 / 19450	86 / 71	171
CJTHT-90-4T-7,5	1430		11.50	6.64	5.50	18	46150	88	171
CJTHT-90-4/8T-7,5	1455 / 725		12.80 / 4.60		5.50 / 1.10	18	46150 / 23075	88 / 73	190
CJTHT-90-4T-10	1460		17.70	10.22	7.50	22	50150	89	208
CJTHT-90-4/8T-9	1455 / 725		15.50 / 5.50		6.70 / 1.50	22	50150 / 25075	89 / 74	198
CJTHT-90-6T-2	945	7.40	4.30		1.50	16	28800	75	123
CJTHT-90-6/12T-2	960 / 470		4.30 / 1.70		1.50 / 0.25	16	28800 / 14400	75 / 60	137
CJTHT-90-6T-3	950	10.30	5.90		2.20	24	34000	76	137
CJTHT-90-6/12T-3	940 / 470		5.60 / 2.20		2.20 / 0.37	24	34000 / 17000	76 / 61	142
CJTHT-90-6T-4	945	15.00	8.70		3.00	30	38900	77	171
CJTHT-90-6/12T-4	970 / 475		8.90 / 3.50		3.00 / 0.55	30	38900 / 19450	77 / 62	171
CJTHT-90-8T-1	710	4.80	2.80		0.75	18	22900	69	135
CJTHT-90-8T-2	700	9.00	5.20		1.50	30	29500	71	139
CJTHT-90-8T-3	705	13.20	7.60		2.20	32	30850	72	171
CJTHT-100-4T-7,5	1430		11.50	6.64	5.50	10	46850	89	179
CJTHT-100-4/8T-7,5	1455 / 725		12.80 / 4.60		5.50 / 1.10	10	46850 / 23425	89 / 74	198
CJTHT-100-4T-10	1460		17.70	10.22	7.50	16	57400	90	216
CJTHT-100-4/8T-9	1455 / 725		15.50 / 5.50		6.70 / 1.50	14	54700 / 27350	90 / 75	206
CJTHT-100-4T-15	1455		23.00	13.28	11.00	22	66300	91	251
CJTHT-100-4/8T-15	1470 / 725		23.20 / 8.70		11.00 / 2.80	22	66300 / 33150	91 / 76	251
CJTHT-100-4T-20	1460		29.00	16.74	15.00	28	76150	92	258
CJTHT-100-4/8T-20	1470 / 725		31.70 / 11.80		15.00 / 3.80	28	76150 / 38075	92 / 77	258
CJTHT-100-6T-3	950	10.30	5.90		2.20	16	37600	80	145
CJTHT-100-6/12T-3	940 / 470		5.60 / 2.20		2.20 / 0.37	16	37600 / 18800	80 / 65	150
CJTHT-100-6T-4	945	15.00	8.70		3.00	20	41150	81	179
CJTHT-100-6/12T-4	970 / 475		8.90 / 3.50		3.00 / 0.55	20	41150 / 20575	81 / 66	179
CJTHT-100-6T-5,5	970		11.00	6.35	4.00	26	47800	82	187
CJTHT-100-6/12T-5,5	970 / 480		11.30 / 4.20		4.00 / 0.65	26	47800 / 23900	82 / 67	206
CJTHT-100-8T-2	700	9.00	5.20		1.50	22	32900	75	147
CJTHT-100-8T-3	705	13.20	7.60		2.20	30	39400	75	179
CJTHT-100-8T-4	710	15.60	9.00		3.00	32	40550	76	216
CJTHT-125-4T/3-10	1460		17.70	10.22	7.50	8	58550	85	395
CJTHT-125-4/8T/3-9	1455 / 725		15.50 / 5.50		6.70 / 1.50	8	58550 / 29275	85 / 65	409
CJTHT-125-4T/3-15	1455		23.00	13.28	11.00	14	77750	86	450
CJTHT-125-4/8T/3-15	1470 / 725		23.20 / 8.70		11.00 / 2.80	14	77750 / 38875	86 / 66	456
CJTHT-125-4T/3-20	1460		29.00	16.74	15.00	18	91450	88	457
CJTHT-125-4/8T/3-20	1470 / 725		31.70 / 11.80		15.00 / 3.80	18	91450 / 45725	88 / 68	476
CJTHT-125-4T/3-25	1465		37.00	21.36	18.50	20	98350	88	540

Technical characteristics

Model	Speed (r/min)	Maximum admissible current (A)			Power installed (kW)	Tilting angle blades (°)	Airflow maximum (m³/h)	Sound pressure level dB(A)	Approx. weight (Kg)
		230V	400V	690V					
CJTHT-125-4T/3-30	1470		42.00	24.25	22.00	24	110350	89	545
CJTHT-125-4/8T/3-27	1470 / 735		38.00 / 13.00		20.00 / 4.00	22	104400 / 52200	89 / 68	548
CJTHT-125-4/8T/3-37	1475 / 735		51.00 / 20.60		27.00 / 6.00	28	120700 / 60350	90 / 69	625
CJTHT-125-4T/3-40	1475		58.00	33.49	30.00	30	125000	90	598
CJTHT-125-4/8T/3-40	1480 / 735		62.00 / 27.00		30.00 / 10.00	30	125000 / 62500	90 / 69	638
CJTHT-125-4T/6-20	1460		29.00	16.74	15.00	10	78600	86	466
CJTHT-125-4/8T/6-20	1470 / 725		31.70 / 11.80		15.00 / 3.80	10	78600 / 39300	86 / 65	485
CJTHT-125-4/8T/6-22	1470 / 735		31.80 / 12.00		16.50 / 3.30	12	85600 / 42800	86 / 66	555
CJTHT-125-4T/6-25	1465		37.00	21.36	18.50	14	92550	87	549
CJTHT-125-4/8T/6-27	1470 / 735		38.00 / 13.00		20.00 / 4.00	16	98850 / 49425	87 / 66	557
CJTHT-125-4T/6-30	1470		42.00	24.25	22.00	16	98850	87	554
CJTHT-125-4/8T/6-37	1475 / 735		51.00 / 20.60		27.00 / 6.00	20	110900 / 55450	87 / 67	633
CJTHT-125-4T/6-40	1475		58.00	33.49	30.00	22	117450	89	606
CJTHT-125-4/8T/6-40	1480 / 735		62.00 / 27.00		30.00 / 10.00	22	117450 / 58725	89 / 68	646
CJTHT-125-4T/6-50	1480		73.00	42.15	37.00	26	131050	90	734
CJTHT-125-4T/9-25	1465		37.00	21.36	18.50	10	79650	85	558
CJTHT-125-4/8T/9-22	1470 / 735		31.80 / 12.00		16.50 / 3.30	8	71150 / 35575	85 / 66	564
CJTHT-125-4T/9-30	1470		42.00	24.25	22.00	12	88300	86	563
CJTHT-125-4/8T/9-27	1470 / 735		38.00 / 13.00		20.00 / 4.00	12	88300 / 44150	86 / 67	566
CJTHT-125-4/8T/9-37	1475 / 735		51.00 / 20.60		27.00 / 6.00	16	104050 / 52025	87 / 67	642
CJTHT-125-4T/9-40	1475		58.00	33.49	30.00	16	104050	88	615
CJTHT-125-4/8T/9-40	1480 / 735		62.00 / 27.00		30.00 / 10.00	16	104050 / 52025	88 / 68	655
CJTHT-125-4T/9-50	1480		73.00	42.15	37.00	20	118400	90	743
CJTHT-125-6T/3-4	945	15.00	8.70		3.00	12	46750	77	385
CJTHT-125-6/12T/3-4	970 / 475		8.90 / 3.50		3.00 / 0.55	12	46750 / 23375	77 / 62	401
CJTHT-125-6T/3-5,5	970		11.00	6.35	4.00	16	55400	78	393
CJTHT-125-6/12T/3-5,5	970 / 480		11.30 / 4.20		4.00 / 0.65	16	55400 / 27700	78 / 63	432
CJTHT-125-6T/3-7,5	970		14.00	8.08	5.50	22	68400	79	401
CJTHT-125-6/12T/3-7,5	970 / 480		13.70 / 5.60		5.50 / 1.00	22	68400 / 34200	79 / 64	445
CJTHT-125-6T/3-10	960		18.60	10.74	7.50	28	79150	81	449
CJTHT-125-6/12T/3-10	970 / 480		19.00 / 8.00		7.50 / 1.40	28	79150 / 39575	81 / 66	457
CJTHT-125-6T/3-15	955		26.00	15.01	11.00	34	87150	82	466
CJTHT-125-6/12T/3-15	970 / 470		28.50 / 13.00		11.00 / 2.00	34	87150 / 43575	82 / 67	557
CJTHT-125-6T/3-20	950		35.50	20.50	15.00	38	91650	83	533
CJTHT-125-6/12T/3-24	970 / 480		36.00 / 14.50		17.50 / 3.50	38	91650 / 45825	83 / 68	623
CJTHT-125-6T/6-5,5	970		11.00	6.35	4.00	10	51500	75	402
CJTHT-125-6/12T/6-5,5	970 / 480		11.30 / 4.20		4.00 / 0.65	10	51500 / 25750	75 / 60	441
CJTHT-125-6T/6-7,5	970		14.00	8.08	5.50	14	60650	75	410
CJTHT-125-6/12T/6-7,5	970 / 480		13.70 / 5.60		5.50 / 1.00	14	60650 / 30325	75 / 60	454
CJTHT-125-6T/6-10	960		18.60	10.74	7.50	20	72650	77	458
CJTHT-125-6/12T/6-10	970 / 480		19.00 / 8.00		7.50 / 1.40	20	72650 / 36325	77 / 62	466
CJTHT-125-6T/6-15	955		26.00	15.01	11.00	26	85850	79	475
CJTHT-125-6/12T/6-15	970 / 470		19.00 / 8.00		11.00 / 2.00	26	85850 / 42925	79 / 64	566
CJTHT-125-6T/6-20	950		35.50	20.50	15.00	30	92850	80	542
CJTHT-125-6/12T/6-24	970 / 480		36.00 / 14.50		17.50 / 3.50	34	99650 / 49825	80 / 65	631
CJTHT-125-6T/9-10	960		18.60	10.74	7.50	14	63500	76	467
CJTHT-125-6/12T/9-10	970 / 480		19.00 / 8.00		7.50 / 1.40	14	63500 / 31750	76 / 61	475
CJTHT-125-6T/9-15	955		26.00	15.01	11.00	20	77550	79	484
CJTHT-125-6/12T/9-15	970 / 470		28.50 / 13.00		11.00 / 2.00	20	77550 / 38775	79 / 64	575
CJTHT-125-6T/9-20	950		35.50	20.50	15.00	26	92950	82	551
CJTHT-125-6/12T/9-24	970 / 480		36.00 / 14.50		17.50 / 3.50	30	98500 / 49250	82 / 67	640

Dimensions in mm



Model	$\varnothing A$	C	$\varnothing D1$
CJTHT-40/45/50	700	550	565
CJTHT-56/63	825	550	690
CJTHT-71/80	1000	650	850
CJTHT-90/100	1200	750	1050
CJTHT-125	1600	1200	1400

Characteristic curves

See characteristic curves on page 33.

Accessories

See accessories section

