

THT



Detail THT/Atex

THT: Cased axial fans 400°C/2h and 300°C/2h.

Cased axial fans with for working inside fire danger zones.

Fan:

- Sheet steel long casing.
- Variable angle impellers in cast aluminium.
- Approved to the EN12101-3:2002/AC:2006 standard. With certifications Nos: 0370-CPR-0305 (F400), 0370-CPR-0973 (F300).
- Airflow direction from motor to impeller

Motor:

- Class H motors, ongoing use S1 and emergency use S2. With ball bearings, IP55 protection, and one-or two-speed depending on the model
- Three-phase 230/400V -50Hz. (up to 4HP) and 400/690V.-50Hz. (power over 4HP)
- Max. air temperature to transport: S1 Service -20°C. +40°C. for ongoing use. S2 Service 300°C/2h and 400°C/2h

Finish:

- Anti-corrosive finish in polyester resin, polymerised at 190°C after phosphate free pre-treatment

Versions available:

- THT: cased axial fans with short casing

- THT/CL: long-cased axial fans fitted with hinged access door
- THT/ATEX: cased axial fans with short casing, with ATEX Ex II3G certifications for Zone 2 (only 400°C/2h and 300°C/2h). Casing fitted with aluminium strip in accordance with Standard EN-14986:2007.
- THT/CL/ATEX: long-cased axial fans with hinged access door and ATEX Ex II3G certification for Zone 2 (only 400°C/2h and 300°C/2h). Casing fitted with aluminium strip in accordance with Standard EN-14986:2007.

On request:

- Airflow direction from impeller to motor
- 100% reversible impellers.
- Long Casing /CL: increase of 5%



Order code

From size 40 to size 100

THT — 56 — 4T — 2 — F-400

THT: Short cased axial fans 400°C/2h and 300°C/2h
THT/ATEX: Short cased axial fans 400°C/2h and 300°C/2h with ATEX certification

Impeller diameter in cm.

Number of motor pole
2=2900 r/min. 50 Hz
4=1400 r/min. 50 Hz
6=900 r/min. 50 Hz
8=750 r/min. 50 Hz
12=500 r/min. 50 Hz

T=Three-phase

Motor power (HP)

F-300 Officially approved, tested for 300°C/2h
F-400 Officially approved 400°C/2h
CAT3: With ATEX certification, Category 3 Ex II3G.

THT/CL: Long cased axial fans 400°C/2h and 300°C/2h with long casing, equipped with an inspection door

From size 125 to size 160

THT — 125 — 4T / 9-25 — 10° — F-400

THT: Short cased axial fans 400°C/2h and 300°C/2h

Impeller diameter

Number of motor pole
2=2900 r/min. 50 Hz
4=1400 r/min. 50 Hz
6=900 r/min. 50 Hz
8=750 r/min. 50 Hz
12=500 r/min. 50 Hz

T=Three-phase

Number of blades
3 blades
6 blades
9 blades

Motor power (HP)

Angle of inclination of the blades

F-300 Officially approved, tested for 300°C/2h
F-400 Officially approved 400°C/2h
CAT3: With ATEX certification, Category 3 Ex II3G.

THT/CL: Long cased axial fans in cm. 400°C/2h and 300°C/2h with long casing, equipped with an inspection door

Technical characteristics

Model	Speed (r/min)	Maximum admissible current (A)			Power installed (kW)	Tilting angle blades (°)	Airflow maximum (m³/h)	Sound pressure level dB(A)	Approx. weight (Kg)	
		230V	400V	690V					Long	Short
THT-40-2T-1,5	2880	4.70	2.70		1.10	20	7050	76	33	31
THT-40-2/4T-1,5	2900 / 1450	2.90 / 1.10			1.10 / 0.25	20	7050 / 3525	76 / 61	34	32
THT-40-2T-2	2880	5.90	3.40		1.50	24	7950	77	35	33
THT-40-2/4T-2	2940 / 1460	4.40 / 1.40			1.50 / 0.37	24	7950 / 3975	77 / 62	35	33
THT-40-4T-0,75	1420	2.90	1.70		0.55	32	4800	64	32	29
THT-40-6T-0,75	930	3.30	1.90		0.55	32	3150	53	37	34
THT-40-6/12T-0,75	940 / 460	2.10 / 0.90			0.55 / 0.09	32	3150 / 1575	53 / 38	41	38
THT-45-2T-2	2880	5.90	3.40		1.50	16	9400	78	38	34
THT-45-2/4T-2	2940 / 1460	4.40 / 1.40			1.50 / 0.37	16	9400 / 4700	78 / 63	37	34
THT-45-2T-3	2900	8.70	5.00		2.20	22	11350	80	39	36
THT-45-2/4T-3	2930 / 1450	5.70 / 1.80			2.20 / 0.60	22	11350 / 5675	80 / 65	39	36
THT-45-4T-0,75	1420	2.90	1.70		0.55	36	7450	68	34	30
THT-45-6T-0,75	930	3.30	1.90		0.55	30	4450	55	38	35
THT-45-6/12T-0,75	940 / 460	2.10 / 0.90			0.55 / 0.09	30	4450 / 2225	55 / 40	42	39
THT-50-2T-4	2880	11.20	6.50		3.00	16	13900	82	49	42
THT-50-2/4T-4	2920 / 1440	6.70 / 2.00			3.00 / 0.80	16	13900 / 6950	82 / 67	51	44
THT-50-2T-5,5	2890	16.00	9.30		4.00	20	15900	83	65	57
THT-50-2/4T-6	2930 / 1450	10.00 / 3.20			4.50 / 1.30	20	15900 / 7950	83 / 68	67	60
THT-50-4T-1	1430	3.80	2.20		0.75	28	9750	69	37	33
THT-50-6T-0,75	930	3.30	1.90		0.55	32	7000	57	40	36
THT-50-6/12T-0,75	940 / 460	2.10 / 0.90			0.55 / 0.09	32	7000 / 3500	57 / 42	44	40
THT-56-2T-5,5	2890	16.00	9.30		4.00	16	18800	88	69	60
THT-56-2/4T-6	2930 / 1450	10.00 / 3.20			4.50 / 1.30	16	18800 / 9400	88 / 72	71	63
THT-56-2T-12	2950		19.20	11.09	9.00	30	27200	89	147	139
THT-56-2/4T-12	2920 / 1440	18.50 / 5.50			9.00 / 2.50	30	27200 / 13600	89 / 74	137	129
THT-56-4T-1	1430	3.80	2.20		0.75	22	11250	73	45	40
THT-56-4T-1,5	1420	4.70	2.70		1.10	30	13600	74	44	40
THT-56-4/8T-1,5	1440 / 710	2.90 / 1.40			1.10 / 0.25	30	13600 / 6800	74 / 59	48	43
THT-56-4T-2	1425	6.60	3.80		1.50	36	15050	75	48	43
THT-56-4/8T-2	1415 / 715	3.60 / 1.50			1.50 / 0.30	36	15050 / 7525	75 / 60	59	55
THT-56-6T-0,75	930	3.30	1.90		0.55	38	10150	62	44	39
THT-56-6/12T-0,75	940 / 460	2.10 / 0.90			0.55 / 0.09	38	10150 / 5075	62 / 47	48	43
THT-63-2T-12	2950		19.20	11.09	9.00	18	32300	90	161	143
THT-63-2/4T-12	2920 / 1440	18.50 / 5.50			9.00 / 2.50	18	32300 / 16150	90 / 75	151	133
THT-63-2T-22	2960		32.30	18.65	16.00	28	39950	91	188	170
THT-63-2/4T-22	2960 / 1480	32.30 / 8.90			16.00 / 4.00	28	39950 / 19975	91 / 76	188	170
THT-63-4T-1	1430	3.80	2.20		0.75	14	15200	73	49	43
THT-63-4T-1,5	1420	4.70	2.70		1.10	20	17800	74	51	45
THT-63-4/8T-1,5	1440 / 710	2.90 / 1.40			1.10 / 0.25	20	17800 / 8900	74 / 59	55	49
THT-63-4T-2	1425	6.60	3.80		1.50	24	19300	75	55	49
THT-63-4/8T-2	1415 / 715	3.60 / 1.50			1.50 / 0.30	24	19300 / 9650	75 / 60	70	60
THT-63-4T-3	1435	9.20	5.30		2.20	32	22150	76	64	54
THT-63-4/8T-3	1415 / 715	5.20 / 1.90			2.20 / 0.45	32	22150 / 11075	76 / 61	77	66
THT-63-4T-4	1430	11.40	6.60		3.00	38	24250	77	73	63
THT-63-4/8T-4	1420 / 705	6.90 / 2.30			3.00 / 0.60	38	24250 / 12125	77 / 62	86	77
THT-63-6T-0,75	930	3.30	1.90		0.55	28	13600	65	51	45
THT-63-6/12T-0,75	940 / 460	2.10 / 0.90			0.55 / 0.09	28	13600 / 6800	65 / 50	55	49
THT-63-6T-1	940	4.40	2.60		0.75	38	15900	66	54	48
THT-63-6/12T-1	935 / 430	2.50 / 1.03			0.75 / 0.15	38	15900 / 7950	66 / 51	61	55
THT-71-4T-1,5	1420	4.70	2.70		1.10	12	19500	78	58	52
THT-71-4/8T-1,5	1440 / 710	2.90 / 1.40			1.10 / 0.25	12	19500 / 9750	78 / 63	61	56
THT-71-4T-2	1425	6.60	3.80		1.50	14	20900	79	61	56
THT-71-4/8T-2	1415 / 715	3.60 / 1.50			1.50 / 0.30	14	20900 / 10450	79 / 64	76	67

Technical characteristics

Model	Speed (r/min)	Maximum admissible current (A)			Power installed (kW)	Tilting angle blades (°)	Airflow maximum (m ³ /h)	Sound pressure level dB(A)	Approx. weight (Kg)	
		230V	400V	690V					Long	Short
THT-71-4T-3	1435	9.20	5.30		2.20	22	25100	81	70	61
THT-71-4/8T-3	1415 / 715		5.20 / 1.90		2.20 / 0.45	22	25100 / 12550	81 / 66	82	74
THT-71-4T-4	1430	11.40	6.60		3.00	28	27500	82	79	70
THT-71-4/8T-4	1420 / 705		6.90 / 2.30		3.00 / 0.60	28	27500 / 13750	82 / 67	92	83
THT-71-6T-0,75	930	3.30	1.90		0.55	20	16100	67	57	52
THT-71-6/12T-0,75	940 / 460		2.10 / 0.90		0.55 / 0.09	20	16100 / 8050	67 / 52	61	56
THT-71-6T-1	940	4.40	2.60		0.75	26	17300	68	61	55
THT-71-6/12T-1	935 / 430		2.50 / 1.03		0.75 / 0.15	26	17300 / 8650	68 / 53	67	62
THT-71-6T-1,5	945	6.40	3.70		1.10	34	19950	69	69	61
THT-71-6/12T-1,5	940 / 450		3.30 / 1.20		1.10 / 0.18	34	19950 / 9975	69 / 54	77	69
THT-80-4T-3	1435	9.20	5.30		2.20	12	25450	82	79	69
THT-80-4/8T-3	1415 / 715		5.20 / 1.90		2.20 / 0.45	12	25450 / 12725	82 / 67	91	82
THT-80-4T-4	1430	11.40	6.60		3.00	16	30250	83	88	78
THT-80-4/8T-4	1420 / 705		6.90 / 2.30		3.00 / 0.60	16	30250 / 15125	83 / 68	101	92
THT-80-4T-5,5	1440		8.40	4.85	4.00	18	32750	84	94	85
THT-80-4/8T-5,5	1450 / 720		9.40 / 3.50		4.00 / 0.80	18	32750 / 16375	84 / 69	127	118
THT-80-6T-1,5	945	6.40	3.70		1.10	18	21450	72	78	69
THT-80-6/12T-1,5	940 / 450		3.30 / 1.20		1.10 / 0.18	18	21450 / 10725	72 / 57	86	77
THT-80-6T-2	945	7.40	4.30		1.50	26	25950	73	87	78
THT-80-6/12T-2	960 / 470		4.30 / 1.70		1.50 / 0.25	26	25950 / 12975	73 / 58	91	82
THT-80-6T-3	950	10.30	5.90		2.20	32	29950	74	94	84
THT-80-6/12T-3	940 / 470		5.60 / 2.20		2.20 / 0.37	32	29950 / 14975	74 / 59	100	91
THT-80-8T-0,75	700	3.60	2.10		0.55	20	17550	70	71	62
THT-80-8T-1	710	4.80	2.80		0.75	28	20650	71	78	69
THT-90-4T-4	1430	11.40	6.60		3.00	8	33600	87	110	93
THT-90-4/8T-4	1420 / 705		6.90 / 2.30		3.00 / 0.60	8	33600 / 16800	87 / 72	124	106
THT-90-4T-5,5	1440		8.40	4.85	4.00	12	38900	89	117	99
THT-90-4/8T-5,5	1450 / 720		9.40 / 3.50		4.00 / 0.80	12	38900 / 19450	89 / 74	150	132
THT-90-4T-7,5	1430		11.50	6.64	5.50	18	46150	91	143	126
THT-90-4/8T-7,5	1455 / 725		12.80 / 4.60		5.50 / 1.10	18	46150 / 23075	91 / 76	157	140
THT-90-4T-10	1460		17.70	10.22	7.50	22	50150	92	154	137
THT-90-4/8T-9	1455 / 725		15.50 / 5.50		6.70 / 1.50	22	50150 / 25075	92 / 77	157	140
THT-90-6T-2	945	7.40	4.30		1.50	16	28800	77	110	92
THT-90-6/12T-2	960 / 470		4.30 / 1.70		1.50 / 0.25	16	28800 / 14400	77 / 62	114	96
THT-90-6T-3	950	10.30	5.90		2.20	24	34000	78	116	99
THT-90-6/12T-3	940 / 470		5.60 / 2.20		2.20 / 0.37	24	34000 / 17000	78 / 63	123	105
THT-90-6T-4	945	15.00	8.70		3.00	30	38900	79	142	124
THT-90-6/12T-4	970 / 475		8.90 / 3.50		3.00 / 0.55	30	38900 / 19450	79 / 64	143	126
THT-90-8T-1	710	4.80	2.80		0.75	18	22900	71	100	84
THT-90-8T-2	700	9.00	5.20		1.50	30	29500	73	116	99
THT-90-8T-3	705	13.20	7.60		2.20	32	30850	74	134	116
THT-100-4T-7,5	1430		11.50	6.64	5.50	10	46850	92	151	131
THT-100-4/8T-7,5	1455 / 725		12.80 / 4.60		5.50 / 1.10	10	46850 / 23425	92 / 77	165	145
THT-100-4T-10	1460		17.70	10.22	7.50	16	57400	93	162	142
THT-100-4/8T-9	1455 / 725		15.50 / 5.50		6.70 / 1.50	14	54700 / 27350	93 / 78	165	145
THT-100-4T-15	1455		23.00	13.28	11.00	22	66300	94	215	195
THT-100-4/8T-15	1470 / 725		23.20 / 8.70		11.00 / 2.80	22	66300 / 33150	94 / 79	215	195
THT-100-4T-20	1460		29.00	16.74	15.00	28	76150	95	230	210
THT-100-4/8T-20	1470 / 725		31.70 / 11.80		15.00 / 3.80	28	76150 / 38075	95 / 80	230	210
THT-100-6T-3	950	10.30	5.90		2.20	16	37600	82	124	105
THT-100-6/12T-3	940 / 470		5.60 / 2.20		2.20 / 0.37	16	37600 / 18800	82 / 67	130	112
THT-100-6T-4	945	15.00	8.70		3.00	20	41150	83	150	130
THT-100-6/12T-4	970 / 475		8.90 / 3.50		3.00 / 0.55	20	41150 / 20575	83 / 68	151	131
THT-100-6T-5,5	970		11.00	6.35	4.00	26	47800	84	162	142
THT-100-6/12T-5,5	970 / 480		11.30 / 4.20		4.00 / 0.65	26	47800 / 23900	84 / 69	162	142

Technical characteristics

Model	Speed (r/min)	Maximum admissible current (A)			Power installed (kW)	Tilting angle blades (°)	Airflow maximum (m³/h)	Sound pressure level dB(A)	Approx. weight (Kg)	
		230V	400V	690V					Long	Short
THT-100-8T-2	700	9.00	5.20		1.50	22	32900	77	124	105
THT-100-8T-3	705	13.20	7.60		2.20	30	39400	77	142	122
THT-100-8T-4	710	15.60	9.00		3.00	32	40550	78	162	142
THT-125-4T/3-10	1460		17.70	10.22	7.50	8	58550	88	243	210
THT-125-4/8T/3-9	1455 / 725		15.50 / 5.50		6.70 / 1.50	8	58550 / 29275	88 / 68	243	210
THT-125-4T/3-15	1455		23.00	13.28	11.00	14	77750	89	294	266
THT-125-4/8T/3-15	1470 / 725		23.20 / 8.70		11.00 / 2.80	14	77750 / 38875	89 / 69	294	266
THT-125-4T/3-20	1460		29.00	16.74	15.00	18	91450	91	309	281
THT-125-4/8T/3-20	1470 / 725		31.70 / 11.80		15.00 / 3.80	18	91450 / 45725	91 / 71	309	281
THT-125-4T/3-25	1465		37.00	21.36	18.50	20	98350	91	377	334
THT-125-4T/3-30	1470		42.00	24.25	22.00	24	110350	92	391	348
THT-125-4/8T/3-27	1470 / 735		38.00 / 13.00		20.00 / 4.00	22	104400 / 52200	92 / 71	391	348
THT-125-4/8T/3-37	1475 / 735		51.00 / 20.60		27.00 / 6.00	28	120700 / 60350	93 / 72	472	429
THT-125-4T/3-40	1475		58.00	33.49	30.00	30	125000	93	472	429
THT-125-4/8T/3-40	1480 / 735		62.00 / 27.00		30.00 / 10.00	30	125000 / 62500	93 / 72	618	562
THT-125-4T/6-20	1460		29.00	16.74	15.00	10	78600	89	318	290
THT-125-4/8T/6-20	1470 / 725		31.70 / 11.80		15.00 / 3.80	10	78600 / 39300	89 / 68	318	290
THT-125-4/8T/6-22	1470 / 735		31.80 / 12.00		16.50 / 3.30	12	85600 / 42800	89 / 69	303	275
THT-125-4T/6-25	1465		37.00	21.36	18.50	14	92550	90	386	343
THT-125-4/8T/6-27	1470 / 735		38.00 / 13.00		20.00 / 4.00	16	98850 / 49425	90 / 69	400	357
THT-125-4T/6-30	1470		42.00	24.25	22.00	16	98850	90	400	357
THT-125-4/8T/6-37	1475 / 735		51.00 / 20.60		27.00 / 6.00	20	110900 / 55450	90 / 70	481	437
THT-125-4T/6-40	1475		58.00	33.49	30.00	22	117450	92	481	437
THT-125-4/8T/6-40	1480 / 735		62.00 / 27.00		30.00 / 10.00	22	117450 / 58725	92 / 71	627	571
THT-125-4T/6-50	1480		73.00	42.15	37.00	26	131050	93	529	473
THT-125-4T/9-25	1465		37.00	21.36	18.50	10	79650	88	395	352
THT-125-4/8T/9-22	1470 / 735		31.80 / 12.00		16.50 / 3.30	8	71150 / 35575	88 / 69	312	284
THT-125-4T/9-30	1470		42.00	24.25	22.00	12	88300	89	409	366
THT-125-4/8T/9-27	1470 / 735		38.00 / 13.00		20.00 / 4.00	12	88300 / 44150	89 / 70	409	366
THT-125-4/8T/9-37	1475 / 735		51.00 / 20.60		27.00 / 6.00	16	104050 / 52025	90 / 70	490	446
THT-125-4T/9-40	1475		58.00	33.49	30.00	16	104050	91	490	446
THT-125-4/8T/9-40	1480 / 735		62.00 / 27.00		30.00 / 10.00	16	104050 / 52025	91 / 71	636	580
THT-125-4T/9-50	1480		73.00	42.15	37.00	20	118400	93	538	482
THT-125-6T/3-4	945	15.00	8.70		3.00	12	46750	79	230	197
THT-125-6/12T/3-4	970 / 475		8.90 / 3.50		3.00 / 0.55	12	46750 / 23375	79 / 64	232	199
THT-125-6T/3-5,5	970		11.00	6.35	4.00	16	55400	80	242	209
THT-125-6/12T/3-5,5	970 / 480		11.30 / 4.20		4.00 / 0.65	16	55400 / 27700	80 / 65	243	210
THT-125-6T/3-7,5	970		14.00	8.08	5.50	22	68400	81	249	216
THT-125-6/12T/3-7,5	970 / 480		13.70 / 5.60		5.50 / 1.00	22	68400 / 34200	81 / 66	263	230
THT-125-6T/3-10	960		18.60	10.74	7.50	28	79150	83	274	246
THT-125-6/12T/3-10	970 / 480		19.00 / 8.00		7.50 / 1.40	28	79150 / 39575	83 / 68	294	266
THT-125-6T/3-15	955		26.00	15.01	11.00	34	87150	84	304	276
THT-125-6/12T/3-15	970 / 470		28.50 / 13.00		11.00 / 2.00	34	87150 / 43575	84 / 69	309	281
THT-125-6T/3-20	950		35.50	20.50	15.00	38	91650	85	377	334
THT-125-6/12T/3-24	970 / 480		36.00 / 14.50		17.50 / 3.50	38	91650 / 45825	85 / 70	472	429
THT-125-6T/6-5,5	970		11.00	6.35	4.00	10	51500	77	251	218
THT-125-6/12T/6-5,5	970 / 480		11.30 / 4.20		4.00 / 0.65	10	51500 / 25750	77 / 62	252	219
THT-125-6T/6-7,5	970		14.00	8.08	5.50	14	60650	77	258	225
THT-125-6/12T/6-7,5	970 / 480		13.70 / 5.60		5.50 / 1.00	14	60650 / 30325	77 / 62	272	239
THT-125-6T/6-10	960		18.60	10.74	7.50	20	72650	79	283	255
THT-125-6/12T/6-10	970 / 480		19.00 / 8.00		7.50 / 1.40	20	72650 / 36325	79 / 64	303	275
THT-125-6T/6-15	955		26.00	15.01	11.00	26	85850	81	313	285
THT-125-6/12T/6-15	970 / 470		28.50 / 13.00		11.00 / 2.00	26	85850 / 42925	81 / 66	318	290
THT-125-6T/6-20	950		35.50	20.50	15.00	30	92850	82	386	343
THT-125-6/12T/6-24	970 / 480		36.00 / 14.50		17.50 / 3.50	34	99650 / 49825	82 / 67	481	437

Technical characteristics

Model	Speed (r/min)	Maximum admissible current (A)			Power installed (kW)	Tilting angle blades (°)	Airflow maximum (m ³ /h)	Sound pressure level dB(A)	Approx. weight (Kg)	
		230V	400V	690V					Long	Short
THT-125-6T/9-10	960		18.60	10.74	7.50	14	63500	78	292	264
THT-125-6/12T/9-10	970 / 480		19.00 / 8.00		7.50 / 1.40	14	63500 / 31750	78 / 63	312	284
THT-125-6T/9-15	955		26.00	15.01	11.00	20	77550	81	322	294
THT-125-6/12T/9-15	970 / 470		28.50 / 13.00		11.00 / 2.00	20	77550 / 38775	81 / 66	327	299
THT-125-6T/9-20	950		35.50	20.50	15.00	26	92950	84	395	352
THT-125-6/12T/9-24	970 / 480		36.00 / 14.50		17.50 / 3.50	30	98500 / 49250	84 / 69	490	446
THT-140-6T/3-5,5	970		11.00	6.35	4.00	8	51300	83	279	242
THT-140-6T/3-7,5	970		14.00	8.08	5.50	14	68150	84	287	250
THT-140-6T/3-10	960		18.60	10.74	7.50	18	80200	85	339	300
THT-140-6T/3-15	955		26.00	15.01	11.00	24	96700	86	356	317
THT-140-6T/3-20	950		35.50	20.50	15.00	30	109600	88	436	386
THT-140-6T/6-7,5	970		14.00	8.08	5.50	8	62800	84	297	260
THT-140-6T/6-10	960		18.60	10.74	7.50	10	68900	85	349	310
THT-140-6T/6-15	955		26.00	15.01	11.00	16	86650	86	366	327
THT-140-6T/6-20	950		35.50	20.50	15.00	22	102950	87	445	396
THT-140-6T/6-25	975		34.40	19.86	18.50	24	108750	88	497	448
THT-140-6T/6-30	975		41.40	23.90	22.00	28	119050	89	506	457
THT-140-6T/9-10	960		18.60	10.74	7.50	8	62350	84	358	319
THT-140-6T/9-15	955		26.00	15.01	11.00	12	77400	86	375	336
THT-140-6T/9-20	950		35.50	20.50	15.00	16	91200	87	455	405
THT-140-6T/9-25	975		34.40	19.86	18.50	20	103800	88	506	458
THT-140-6T/9-30	975		41.40	23.90	22.00	22	111000	89	515	467
THT-140-6T/9-40	985		54.20	31.29	30.00	28	128800	91	673	611
THT-140-6T/9-50	980		66.40	38.34	37.00	32	135750	92	751	696
THT-140-8T/3-3	705	13.20	7.60		2.20	12	47400	78	279	242
THT-140-8T/3-4	710	15.60	9.00		3.00	16	56200	78	287	250
THT-140-8T/3-5,5	710		13.00	7.51	4.00	20	65350	79	337	298
THT-140-8T/3-7,5	710		15.10	8.72	5.50	26	77400	81	346	307
THT-140-8T/3-10	715		20.60	11.89	7.50	32	85900	82	357	318
THT-140-8T/6-3	705	13.20	7.60		2.20	8	47600	78	289	252
THT-140-8T/6-4	710	15.60	9.00		3.00	10	52250	79	297	260
THT-140-8T/6-5,5	710		13.00	7.51	4.00	14	61500	80	347	308
THT-140-8T/6-7,5	710		15.10	8.72	5.50	18	69550	81	356	317
THT-140-8T/6-10	715		20.60	11.89	7.50	24	82700	82	367	328
THT-140-8T/6-15	725		21.70	12.53	11.00	30	94150	83	453	404
THT-140-8T/9-4	710	15.60	9.00		3.00	8	47250	79	306	269
THT-140-8T/9-5,5	710		13.00	7.51	4.00	10	52950	79	356	317
THT-140-8T/9-7,5	710		15.10	8.72	5.50	14	64400	81	365	326
THT-140-8T/9-10	715		20.60	11.89	7.50	18	73900	82	376	337
THT-140-8T/9-15	725		21.70	12.53	11.00	26	94300	83	463	413
THT-140-8T/9-20	725		32.90	18.99	15.00	32	102900	86	516	468
THT-160-6T/3-10	960		18.60	10.74	7.50	8	76600	83	412	358
THT-160-6T/3-15	955		26.00	15.01	11.00	12	93350	85	429	375
THT-160-6T/3-20	950		35.50	20.50	15.00	18	119700	86	522	453
THT-160-6T/3-25	975		34.40	19.86	18.50	22	136600	87	574	504
THT-160-6T/3-30	975		41.40	23.90	22.00	24	144550	89	583	513
THT-160-6T/6-15	955		26.00	15.01	11.00	8	93750	85	440	386
THT-160-6T/6-20	950		35.50	20.50	15.00	12	112000	86	532	463
THT-160-6T/6-25	975		34.40	19.86	18.50	14	121100	87	584	515
THT-160-6T/6-30	975		41.40	23.90	22.00	16	129350	88	593	524
THT-160-6T/6-40	985		54.20	31.29	30.00	22	153700	89	768	669
THT-160-6T/6-50	980		66.40	38.34	37.00	26	170800	91	842	757
THT-160-6T/9-15	955		26.00	15.01	11.00	8	93100	85	450	396
THT-160-6T/9-20	950		35.50	20.50	15.00	8	93100	86	542	473
THT-160-6T/9-25	975		34.40	19.86	18.50	10	104250	87	594	525

Technical characteristics

Model	Speed (r/min)	Maximum admissible current (A)			Power installed (kW)	Tilting angle blades (°)	Airflow maximum (m³/h)	Sound pressure level dB(A)	Approx. weight (Kg)	
		230V	400V	690V					Long	Short
THT-160-6T/9-30	975		41.40	23.90	22.00	14	126800	88	603	534
THT-160-6T/9-40	985		54.20	31.29	30.00	18	145500	89	778	679
THT-160-6T/9-50	980		66.40	38.34	37.00	20	154950	90	852	768
THT-160-6T/9-60	985		84.50	48.79	45.00	24	176750	91	1067	968
THT-160-6T/9-75	985		100.00	57.74	55.00	28	192300	92	1112	1013
THT-160-8T/3-4	710	15.60	9.00		3.00	8	58050	77	356	304
THT-160-8T/3-5,5	710		13.00	7.51	4.00	12	70750	79	410	356
THT-160-8T/3-7,5	710		15.10	8.72	5.50	16	83900	80	419	365
THT-160-8T/3-10	715		20.60	11.89	7.50	20	97550	81	430	376
THT-160-8T/3-15	725		21.70	12.53	11.00	26	115550	83	530	461
THT-160-8T/6-5,5	710		13.00	7.51	4.00	8	71050	77	421	367
THT-160-8T/6-7,5	710		15.10	8.72	5.50	10	77950	79	430	376
THT-160-8T/6-10	715		20.60	11.89	7.50	14	91800	80	441	387
THT-160-8T/6-15	725		21.70	12.53	11.00	18	103800	82	540	471
THT-160-8T/6-20	725		32.90	18.99	15.00	24	123050	83	594	525
THT-160-8T/6-25	730		34.90	20.15	18.50	28	134700	84	741	642
THT-160-8T/9-7,5	710		15.10	8.72	5.50	8	70550	79	440	386
THT-160-8T/9-10	715		20.60	11.89	7.50	10	79000	80	451	397
THT-160-8T/9-15	725		21.70	12.53	11.00	14	96100	82	550	481
THT-160-8T/9-20	725		32.90	18.99	15.00	18	110300	83	604	535
THT-160-8T/9-25	730		34.90	20.15	18.50	22	125600	84	751	652
THT-160-8T/9-30	730		41.10	23.73	22.00	26	140750	85	776	677
THT-160-8T/9-40	730		56.30	32.50	30.00	32	153550	86	837	753

Acoustic features

The specified values are determined according to free field measurements of pressure and sound levels in dB(A) at an equivalent distance of twice the fan's span plus the impeller's diameter, with a minimum of 1.5 m.

Sound power Lw(A) spectrum in dB(A) via frequency band in Hz.

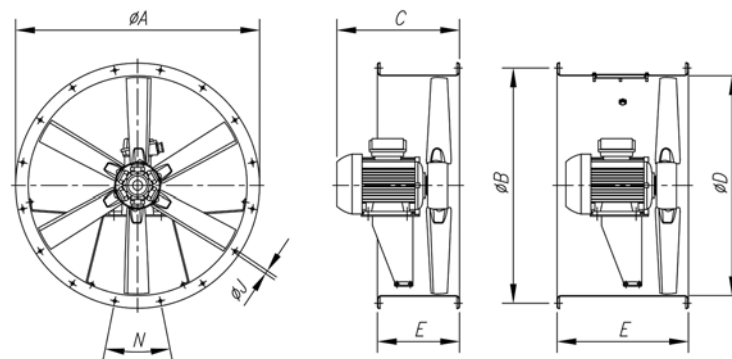
Model	63	125	250	500	1000	2000	4000	8000	Model	63	125	250	500	1000	2000	4000	8000
40-2-1,5	48	69	76	81	84	80	73	62	63-4-3	53	70	78	83	85	82	77	67
40-4-1,5 (2V)	33	54	61	66	69	65	58	47	63-8-3 (2V)	38	55	63	68	70	67	62	52
40-2-2	49	70	77	82	85	81	74	63	63-4-4	54	71	79	84	86	83	78	68
40-4-2 (2V)	34	55	62	67	70	66	59	48	63-8-4 (2V)	39	56	64	69	71	68	63	53
40-4-0,75	36	57	64	69	72	68	61	50	63-6-0,75	42	60	68	73	75	72	65	56
40-6	25	46	53	58	61	57	50	39	63-12-0,75 (2V)	27	43	51	56	58	55	48	37
40-12 (2V)	10	31	38	43	46	42	35	24	63-6-1	43	62	70	75	77	74	67	57
45-2-2	50	71	78	83	86	82	75	64	63-12-1 (2V)	28	45	53	58	60	57	50	42
45-4-2 (2V)	35	56	63	68	71	67	60	49	71-4-1,5	54	74	82	87	89	86	79	69
45-2-3	52	73	80	85	88	84	77	66	71-8-1,5 (2V)	38	58	66	71	73	70	63	54
45-4-3 (2V)	37	58	65	70	73	69	62	51	71-4-2	53	73	81	86	88	85	78	70
45-4-0,75	40	61	68	73	76	72	65	54	71-8-2 (2V)	38	58	66	71	73	70	63	55
45-6	27	48	55	60	63	59	52	41	71-4-3	58	72	80	85	87	84	77	71
45-12 (2V)	12	33	40	45	48	44	37	26	71-8-3 (2V)	43	57	65	70	72	69	62	56
50-2-4	57	77	85	90	92	89	82	71	71-4-4	59	73	81	86	88	85	78	72
50-4-4 (2V)	42	62	70	75	77	74	67	56	71-8-4 (2V)	44	58	66	71	73	70	63	57
50-2-5,5	58	78	86	91	93	90	83	72	71-6-0,75	44	63	72	74	76	73	66	55
50-2-6	58	78	86	91	93	90	83	72	71-12-0,75 (2V)	29	44	52	57	59	56	49	38
50-4-6 (2V)	43	63	71	76	78	75	68	57	71-6-1	45	65	73	75	77	74	67	56
50-4-1	44	64	72	77	79	76	69	58	71-12-1 (2V)	30	46	54	59	61	58	51	40
50-6	32	52	60	65	67	64	57	46	71-6-1,5	46	66	71	76	78	75	68	57
50-12 (2V)	17	37	45	50	52	49	42	31	71-12-1,5 (2V)	31	46	54	59	61	58	51	40
56-2-5,5	63	83	91	96	98	95	88	77	80-4-3	57	77	85	90	92	89	82	73
56-2-6	63	83	91	96	98	95	88	77	80-8-3 (2V)	42	62	70	75	77	74	67	58
56-4-6 (2V)	48	68	76	81	83	80	73	62	80-4-4	56	76	84	89	91	88	81	74
56-2-12	64	84	92	97	99	96	89	78	80-8-4 (2V)	41	61	69	74	76	73	66	59
56-4-12 (2V)	49	69	77	82	84	81	74	63	80-4-5,5	56	76	84	89	91	88	81	70
56-4-1	48	68	76	81	83	80	73	62	80-8-5,5 (2V)	40	60	68	73	75	72	65	59
56-4-1,5	49	69	77	82	84	81	74	63	80-6-1,5	49	66	74	79	81	78	71	60
56-8-1,5 (2V)	34	54	62	67	69	66	59	48	80-12-1,5 (2V)	34	49	57	62	64	61	54	43
56-4-2	50	70	78	83	85	82	75	64	80-6-2	50	67	75	80	82	79	72	61
56-8-2 (2V)	35	55	63	68	70	67	60	49	80-12-2 (2V)	35	50	58	63	65	62	55	44
56-6	37	57	65	70	72	69	62	51	80-6-3	51	68	76	81	83	80	73	62
56-12 (2V)	22	42	50	55	57	54	47	36	80-12-3 (2V)	36	51	59	64	66	63	56	45
63-2-12	67	87	95	100	102	99	92	81	80-8-0,75	47	60	68	73	75	72	65	54
63-4-12 (2V)	52	72	80	85	87	84	77	66	80-8-1	48	61	69	74	76	73	66	55
63-2-22	68	88	96	101	103	100	93	82	90-4-4	61	82	89	94	97	93	86	79
63-4-22 (2V)	53	73	81	86	88	85	78	67	90-8-4 (2V)	46	67	74	79	82	78	71	64
63-4-1	50	70	78	83	85	82	75	64	90-4-5,5	60	81	88	93	96	92	85	74
63-4-1,5	48	68	76	81	83	80	73	65	90-8-5,5 (2V)	45	66	73	78	81	77	70	59
63-8-1,5 (2V)	33	53	61	66	68	65	58	50	90-4-7,5	59	80	87	92	95	91	84	73
63-4-2	52	68	76	81	83	80	73	66	90-8-7,5 (2V)	43	64	71	76	79	75	68	57
63-8-2 (2V)	37	53	61	66	68	65	58	51	90-4-10	58	79	86	91	94	90	83	72

Acoustic features

Sound power Lw(A) spectrum in dB(A) via frequency band in Hz.

Model	63	125	250	500	1000	2000	4000	8000	Model	63	125	250	500	1000	2000	4000	8000
90-4-9	58	79	86	91	94	90	83	72	125-12/6-10 (2V)	47	56	69	72	73	70	59	55
90-8-9 (2V)	43	64	71	76	79	75	68	57	125-6/6-15	64	73	86	89	90	87	76	72
90-6-2	49	70	77	82	85	81	74	63	125-12/6-15 (2V)	49	58	71	74	75	72	61	57
90-12-2 (2V)	32	53	60	65	68	64	57	46	125-6/6-20	65	74	87	90	91	88	77	73
90-6-3	56	70	77	82	85	81	74	63	125-6/6-24	65	74	87	90	91	88	77	73
90-12-3 (2V)	41	53	60	65	68	64	57	46	125-12/6-24 (2V)	50	59	72	75	76	73	62	58
90-6-4	57	72	79	84	87	83	76	65	125-6/9-10	58	68	83	87	86	85	74	70
90-12-4 (2V)	42	55	62	67	70	66	59	48	125-12/9-10 (2V)	43	53	68	72	71	70	59	55
90-8-1	42	63	70	75	78	74	67	56	125-6/9-15	61	71	86	90	89	88	77	73
90-8-2	51	66	73	78	81	77	70	59	125-12/9-15 (2V)	46	56	71	75	74	73	62	58
90-8-3	52	66	73	78	81	77	70	59	125-6/9-20	64	74	89	93	92	91	80	76
100-4-7,5	64	84	92	97	99	96	89	78	125-6/9-24	64	74	89	93	92	91	80	76
100-8-7,5 (2V)	49	69	77	82	84	81	74	63	125-12/9-24 (2V)	49	59	74	78	77	76	65	61
100-4-10	62	82	90	95	97	94	87	76	140-6/3-5,5	69	79	87	92	91	90	77	77
100-4-9	63	83	91	96	98	95	88	77	140-6/3-7,5	70	80	88	93	92	91	78	78
100-8-9 (2V)	48	68	76	81	83	80	73	62	140-6/3-10	71	81	89	94	93	92	79	79
100-4-15	61	81	89	94	96	93	86	75	140-6/3-15	72	82	90	95	94	93	80	80
100-8-15 (2V)	46	66	74	79	81	78	71	60	140-6/3-20	74	84	92	97	96	95	82	82
100-4-20	63	83	91	96	98	95	88	77	140-6/6-7,5	68	83	92	94	91	85	77	73
100-8-20 (2V)	47	67	75	80	82	79	72	61	140-6/6-10	69	84	93	95	92	86	78	74
100-6-3	61	72	80	85	87	84	77	66	140-6/6-15	70	85	94	96	93	87	79	75
100-12-3 (2V)	46	55	63	68	70	67	60	49	140-6/6-20	71	86	95	97	94	88	80	76
100-6-4	64	72	80	85	87	84	77	66	140-6/6-25	72	87	96	98	95	89	81	77
100-12-4 (2V)	48	55	63	68	70	67	60	49	140-6/6-30	73	88	97	99	96	90	82	78
100-6-5,5	64	73	81	86	88	85	78	67	140-6/9-10	66	84	93	92	91	87	78	73
100-12-5,5 (2V)	49	56	64	69	71	68	61	50	140-6/9-15	68	86	95	94	93	89	80	75
100-8-2	56	66	74	79	81	78	71	60	140-6/9-20	69	87	96	95	94	90	81	76
100-8-3	57	68	76	81	83	80	73	62	140-6/9-25	70	88	97	96	95	91	82	77
100-8-4	58	68	76	81	83	80	73	62	140-6/9-30	71	89	98	97	96	92	83	78
125-4/3-10	70	76	88	98	98	94	86	82	140-6/9-40	73	91	100	99	98	94	85	80
125-4/3-9	70	76	88	98	98	94	86	82	140-6/9-50	74	92	101	100	99	95	86	81
125-8/3-9 (2V)	50	56	68	78	78	74	66	62	140-8/3-3	64	74	82	87	86	85	72	67
125-4/3-15	71	77	89	99	99	95	87	83	140-8/3-4	64	74	82	87	86	85	72	67
125-8/3-15 (2V)	51	57	69	79	79	75	67	63	140-8/3-5,5	65	75	83	88	87	86	73	68
125-4/3-20	73	79	91	101	101	97	89	85	140-8/3-7,5	67	77	85	90	89	88	75	70
125-8/3-20 (2V)	53	59	71	81	81	77	69	65	140-8/3-10	68	78	86	91	90	89	76	71
125-4/3-25	73	79	91	101	101	97	89	85	140-8/6-3	63	75	84	88	86	80	70	67
125-4/3-30	74	80	92	102	102	98	90	86	140-8/6-4	64	76	85	89	87	81	71	68
125-4/3-27	74	80	92	102	102	98	90	86	140-8/6-5,5	65	77	86	90	88	82	72	69
125-8/3-27 (2V)	53	59	71	81	81	77	69	65	140-8/6-7,5	66	78	87	91	89	83	73	70
125-4/3-37	75	81	93	103	103	99	91	87	140-8/6-10	67	79	88	92	90	84	74	71
125-8/3-37 (2V)	54	60	72	82	82	78	70	66	140-8/6-15	68	80	89	93	91	85	75	72
125-4/3-40	75	81	93	103	103	99	91	87	140-8/9-4	62	73	84	89	87	83	73	68
125-8/3-40 (2V)	54	60	72	82	82	78	70	66	140-8/9-5,5	62	73	84	89	87	83	73	68
125-4/6-20	67	75	91	98	100	95	89	85	140-8/9-7,5	64	75	86	91	89	85	75	70
125-8/6-20 (2V)	46	54	70	77	79	74	68	64	140-8/9-10	65	76	87	92	90	86	76	71
125-4/6-22	67	75	91	98	100	95	89	85	140-8/9-15	66	77	88	93	91	87	77	72
125-8/6-22 (2V)	47	55	71	78	80	75	69	65	140-8/9-20	69	80	91	96	94	90	80	75
125-4/6-25	68	76	92	99	101	96	90	86	160-6/3-10	69	79	87	92	91	90	77	72
125-4/6-27	68	76	92	99	101	96	90	86	160-6/3-15	71	81	89	94	93	92	79	74
125-8/6-27 (2V)	47	55	71	78	80	75	69	65	160-6/3-20	72	82	90	95	94	93	80	75
125-4/6-30	68	76	92	99	101	96	90	86	160-6/3-25	73	83	91	96	95	94	81	76
125-4/6-37	68	76	92	99	101	96	90	86	160-6/3-30	75	85	93	98	97	96	83	78
125-8/6-37 (2V)	48	56	72	79	81	76	70	66	160-6/6-15	69	84	93	95	92	86	78	74
125-4/6-40	70	78	94	101	103	98	92	88	160-6/6-20	70	85	94	96	93	87	79	75
125-8/6-40 (2V)	49	57	73	80	82	77	71	67	160-6/6-25	71	86	95	97	94	88	80	76
125-4/6-50	71	79	95	102	104	99	93	89	160-6/6-30	72	87	96	98	95	89	81	77
125-4/9-25	66	74	91	97	98	93	88	84	160-6/6-40	73	88	97	99	96	90	82	78
125-4/9-22	66	74	91	97	98	93	88	84	160-6/6-50	75	90	99	101	98	92	84	80
125-8/9-22 (2V)	47	55	72	78	79	74	69	65	160-6/9-15	67	85	94	93	92	88	79	74
125-4/9-30	67	75	92	98	99	94	89	85	160-6/9-20	68	86	95	94	93	89	80	75
125-4/9-27	67	75	92	98	99	94	89	85	160-6/9-25	69	87	96	95	94	90	81	76
125-8/9-27 (2V)	48	56	73	79	80	75	70	66	160-6/9-30	70	88	97	96	95	91	82	77
125-4/9-37	68	76	93	99	100	95	90	86	160-6/9-40	71	89	98	97	96	92	83	78
125-8/9-37 (2V)	48	56	73	79	80	75	70	66	160-6/9-50	72	90	99	98	97	93	84	79
125-4/9-40	69	77	94	100	101	96	91	87	160-6/9-60	73	91	100	99	98	94	85	80
125-8/9-40 (2V)	49	57	74	80	81	76	71	67	160-6/9-75	74	92	101	100	99	95	86	81
125-4/9-50	71	79	96	102	103	98	93	89	160-8/3-4	63	73	81	86	85	84	71	66
125-6/3-4	65	73	85	89	87	82	73	69	160-8/3-5,5	65	75	83	88	87	86	73	68
125-12/3-4 (2V)	50	58	70	74	72	67	58	54	160-8/3-7,5	66	76	84	89	88	87	74	69
125-6/3-5,5	66	74	86	90	88	83	74	70	160-8/3-10	67	77	85	90	89	88	75	70
125-12/3-5,5 (2V)	51	59	71	75	73	68	59	55	160-8/3-15	69	79	87	92	91	90	77	72
125-6/3-7,5	67	75	87	91	89	84	75	71	160-8/6-5,5	61	76	85	87	84	78	70	66
125-12/3-7,5 (2V)	52	60	72	76	74	69	60	56	160-8/6-7,5	63	78	87	89	86	80	72	68
125-6/3-10	69	77	89	93	91	86	77	73	160-8/6-10	64	79	88	90	87	81	73	69
125-12/3-10 (2V)	54	62	74	78	76	71	62	58	160-8/6-15	66	81	90	92	89	83	75	71
125-6/3-15	70	78	90	94	92	87	78	74	160-8/6-20	67	82	91	93	90	84	76	72
125-12/3-15 (2V)	55	63	75	79	77	72	63	59	160-8/6-25	68	83	92	94	91	85	77	73
125-6/3-20	71	79	91	95	93	88	79	75	160-8/9-7,5	61	79	88	87	86	82	73	68
125-6/3-24	71	79	91	95	93	88	79	75	160-8/9-10	62	80	89	88	87	83	74	69
125-12/3-24 (2V)	56	64	76	80	78	73	64	60	160-8/9-15	64	82	91	90	89	85	76	

Dimensions in mm



Short (Standard) Long

Model	ØA	ØB	C (consult motor size according to power)																ØD	E		ØJ	N
			80	90S	90L	100	112	132S	132M	132ML	160M	160L	180M	180L	200L	225	250	280		Short	Long		
THT-40	490	450	348	364	389	-	-	-	-	-	-	-	-	-	-	-	-	-	410	250	400	12	8x45°
THT-45	540	500	348	364	389	-	-	-	-	-	-	-	-	-	-	-	-	-	460	250	400	12	8x45°
THT-50	600	560	339	364	389	-	-	-	-	-	-	-	-	-	-	-	-	-	514	250	400	12	12x30°
THT-50	600	560	-	-	-	419	438	-	-	-	-	-	-	-	-	-	-	-	514	250	500	12	12x30°
THT-56	660	620	275	364	389	-	-	-	-	-	-	-	-	-	-	-	-	-	560	250	400	12	12x30°
THT-56	660	620	-	-	-	416	432	480	518	-	-	-	-	-	-	-	-	-	560	250	500	12	12x30°
THT-56	660	620	-	-	-	-	-	-	-	620	-	-	-	-	-	-	-	-	560	250	650	12	12x30°
THT-63	730	690	339	359	389	-	-	-	-	-	-	-	-	-	-	-	-	-	640	250	400	12	12x30°
THT-63	730	690	-	-	-	420	437	-	-	-	-	-	-	-	-	-	-	-	640	250	500	12	12x30°
THT-63	730	690	-	-	-	-	-	-	539	577	-	-	-	-	-	-	-	-	640	250	650	12	12x30°
THT-63	730	690	-	-	-	-	-	-	-	-	630	674	-	-	-	-	-	-	640	350	650	12	12x30°
THT-71	810	770	366	379	404	-	-	-	-	-	-	-	-	-	-	-	-	-	710	300	430	12	16x22°30'
THT-71	810	770	-	-	-	438	433	-	-	-	-	-	-	-	-	-	-	-	710	300	500	12	16x22°30'
THT-80	900	860	-	-	422	456	472	-	-	-	-	-	-	-	-	-	-	-	800	300	500	12	16x22°30'
THT-80	900	860	-	-	-	-	-	515	-	-	-	-	-	-	-	-	-	-	800	300	600	12	16x22°30'
THT-90	1015	970	-	-	-	466	482	525	565	590	-	-	-	-	-	-	-	-	900	350	600	15	16x22°30'
THT-100	1115	1070	-	-	-	-	482	525	565	590	-	-	-	-	-	-	-	-	1000	450	600	15	16x22°30'
THT-100	1115	1070	-	-	-	-	-	-	-	-	695	695	-	-	-	-	-	-	1000	450	700	15	16x22°30'
THT-125	1365	1320	-	-	-	-	-	561	601	-	-	-	-	-	-	-	-	-	1250	500	700	15	20x18°
THT-125	1365	1320	-	-	-	-	-	-	-	626	695	695	-	-	-	-	-	-	1250	500	700	15	20x18°
THT-125	1365	1320	-	-	-	-	-	-	-	-	-	-	740	740	860	-	-	-	1250	500	900	15	20x18°
THT-125	1365	1320	-	-	-	-	-	-	-	-	-	-	-	-	907	-	-	-	1250	500	1000	15	20x18°
THT-125	1365	1320	-	-	-	-	-	-	-	-	-	-	-	-	-	987	-	-	1250	600	1000	15	20x18°
THT-125	1365	1320	-	-	-	-	-	-	-	-	-	-	-	-	-	-	1077	-	1250	600	1200	15	20x18°
THT-140	1515	1470	-	-	-	-	-	532	570	-	-	-	-	-	-	-	-	-	1400	400	650	15	20x18°
THT-140	1515	1470	-	-	-	-	-	-	-	650	700	-	-	-	-	-	-	-	1400	450	700	15	20x18°
THT-140	1515	1470	-	-	-	-	-	-	-	-	-	-	765	-	-	-	-	-	1400	550	900	15	20x18°
THT-140	1515	1470	-	-	-	-	-	-	-	-	-	-	-	825	-	-	-	-	1400	550	900	15	20x18°
THT-140	1515	1470	-	-	-	-	-	-	-	-	-	-	-	-	910	-	-	-	1400	550	1000	15	20x18°
THT-140	1515	1470	-	-	-	-	-	-	-	-	-	-	-	-	-	985	-	-	1400	600	1000	15	20x18°
THT-160	1735	1680	-	-	-	-	-	532	570	-	-	-	-	-	-	-	-	-	1600	400	650	19	24x15°
THT-160	1735	1680	-	-	-	-	-	-	-	-	700	-	-	-	-	-	-	-	1600	450	700	19	24x15°
THT-160	1735	1680	-	-	-	-	-	-	-	-	-	-	765	-	-	-	-	-	1600	550	900	19	24x15°
THT-160	1735	1680	-	-	-	-	-	-	-	-	-	-	-	825	-	-	-	-	1600	550	1000	19	24x15°
THT-160	1735	1680	-	-	-	-	-	-	-	-	-	-	-	-	910	-	-	-	1600	550	1000	19	24x15°
THT-160	1735	1680	-	-	-	-	-	-	-	-	-	-	-	-	-	985	-	-	1600	600	1000	19	24x15°
THT-160	1735	1680	-	-	-	-	-	-	-	-	-	-	-	-	-	-	1190	-	1600	700	1000	19	24x15°

* The standard version is short casing. On request, long-casing with an inspection hatch.

Motor build sizes depending on power (one-speed)

	CV																			
	0,75	1	1,5	2	3	4	5,5	7,5	10	12	15	20	22	25	30	40	50	60	75	100
2T (3000 r/min)	80	80	80	90S	90L	100LB	112M	132S	132S	132MA	160M	160M	160L	180M	180L	200L	225S/M	225S/M	250S/M	280S/M
4T (1500 r/min)	90S	90S	90S	90L	100LA	100LB	112M	132S	132M	-	160M	160L	-	180M	180L	200L	225S/M	225S/M	250S/M	280S/M
6T (1000 r/min)	90S	90S	90L	100L	112M	132S	132MA	132MB	160M	-	160L	180L	-	200MLA	200MLB	225SMB	250S/M	280S/M	280S/M	-
8T (750 r/min)	90L	100LA	100L	112M	132S	132M	160MA	160M	160L	-	180L	200MLA	-	225SMA	225SMB	250SMA	280S/M	280S/M	-	-

Motor build sizes depending on power (two-speed)

	CV																					
	0,75	1	1,5	2	3	4	5,5	6	7,5	8	10	12	15	18	20	22	24	27	37	38	40	
2/4(3000/1500 r/min)	-	-	90S	90S	90L	100L	-	112M	-	-	132M	-	160MA	-	160M	-	160L	-	-	-	-	
4/8(1500/750 r/min)	-	-	90S	100L	100LA	100LC	132S	-	132S	132S	-	132M	-	160M	-	160L	180M	180M	180L	200MLA	200L	225S/M
6/12(1000/500 r/min)	90L	100L	100LB	112M	112M	132MC	160M	160M	160LB	160LB	-	160LB	-	200MLC	160L	200M	-	250SMB	225S/M	-	225S/M	-

Characteristic curves

See characteristic curves on page 33.