

CJTHT/PLUS

400°C/2h, 300°C/1h and 200°C/2h axial extraction units with built-in noise reducer



Highly-efficient built-in noise reducer.

Extraction units with soundproofed box to work inside fire danger zones at 400°C/2h and noise reducer, with built-in central core.

Fan:

- Galvanised sheet steel structure with thermal insulation and soundproofing.
- Turnable cast aluminium impellers.
- Noise reducer with sound-absorbing material, especially tested to reduce noise considerably. Units suitable for working in both horizontal and vertical positions. Approval according to Standard EN-12101-3-2002, certificate no.: 0370-CPD-0312
- Airflow direction from motor to impeller

Motor:

- Class H motors, ongoing use S1 and emergency use S2, with ball bearings, IP55 protection, and one- or two- speed depending on the model.
- Three-phase 230/400V.-50Hz. (up to 4CV.) and 400/690V.-50Hz. (power over 4CV.)
- Max. temperature of air for transport: S1 Service -20°C+ 40°C for ongoing use, S2 Service 200°C/2h, 300°C/2h, 400°C/2h

Finish:

- Anticorrosive galvanized sheet steel.

On request:

- 100% reversible impellers.



Order code

CJTHT/PLUS — 56 — 4T — 2 — F-400

CJTHT/PLUS: 400°C/2h, 300°C/1h y 200°C/2h axial extraction units with built-in noise reducer

Impeller diameter in cm.

Number of motor poles

- 2=2900 r/min. 50 Hz
- 4=1400 r/min. 50 Hz
- 6=900 r/min. 50 Hz
- 8=750 r/min. 50 Hz
- 12=500 r/min. 50 Hz

T=Three-phase

Power motor (c.v.)

F-200 Officially approved 200°C/2h
F-300 Officially approved 300°C/1h
F-400 Officially approved 400°C/2h

Technical characteristics

Model	Speed (r/min)	Maximum admissible current (A)			Power installed (kW)	Airflow maximum (m³/h)	Sound pressure level dB(A)	Approx. weight (Kg)
		230V	400V	690V				
CJTHT-40-2/4T-1,5/PLUS	2920/1460		2,90/2,10		1,10/0,25	7050/3500	71/56	53
CJTHT-40-2/4T-2/PLUS	2940/1460		4,40/1,40		1,50/0,37	8450/4200	72/57	54
CJTHT-40-4T-0,75/PLUS	1420	2,90	1,70		0,55	4850	59	47
CJTHT-40-6T-0,75/PLUS	930	3,30	1,90		0,55	3150	49	52
CJTHT-40-6/12T-0,75/PLUS	940/440		2,10/0,90		0,55/0,09	3150/1450	49/34	56
CJTHT-45-2/4T-2/PLUS	2940/1460		5,70/1,80		1,50/0,37	10050/5050	73/58	56
CJTHT-45-2/4T-3/PLUS	2930/1450		4,40/1,40		2,20/0,60	11900/5950	75/60	58
CJTHT-45-4T-0,75/PLUS	1420	2,90	1,70		0,55	7650	63	49
CJTHT-45-6T-0,75/PLUS	930	3,30	1,90		0,55	5050	51	53
CJTHT-45-6/12T-0,75/PLUS	940/440		2,10/0,90		0,55/0,09	5050/2350	51/36	58
CJTHT-50-2/4T-4/PLUS	2920/1440		6,70/2,00		3,00/0,80	13850/6950	77/60	65

Technical characteristics

Model	Speed (r/min)	Maximum admissible current (A)			Power installed (kW)	Airflow maximum (m³/h)	Sound pressure level dB(A)	Approx. weight (Kg)
		230V	400V	690V				
CJTHT-50-2/4T-6/PLUS	2930/1450		10,00/3,20		4,50/1,30	16750/8400	78/63	81
CJTHT-50-4T-1/PLUS	1420	3,70	2,10		0,75	9750	64	51
CJTHT-50-6T-0,75/PLUS	930	3,30	1,90		0,55	7900	53	55
CJTHT-50-6/12T-0,75/PLUS	940/440		2,10/0,90		0,55/0,09	7900/3650	53/38	59
CJTHT-56-2/4T-6/PLUS	2930/1450		10,00/3,20		4,50/1,30	21250/10650	83/67	90
CJTHT-56-2/4T-12/PLUS	2920/1440		20,70/5,50		9,00/2,50	28200/14100	84/69	153
CJTHT-56-4T-1/PLUS	1420	3,70	2,10		0,75	11850	68	62
CJTHT-56-4T-1,5/PLUS	1420	4,70	2,70		1,10	13550	69	64
CJTHT-56-4/8T-1,5/PLUS	1440/710		2,90/1,40		1,10/0,25	13550/6750	69/52	68
CJTHT-56-4T-2/PLUS	1425	6,60	3,80		1,50	15450	70	68
CJTHT-56-4/8T-2/PLUS	1415/715		3,60/1,50		1,50/0,30	15450/7700	70/53	80
CJTHT-56-6T-0,75/PLUS	930	3,30	1,90		0,55	10900	58	64
CJTHT-56-6/12T-0,75/PLUS	940/440		2,10/0,90		0,55/0,09	10900/5050	58/41	68
CJTHT-63-4T-1/PLUS	1420	3,70	2,10		0,75	15200	68	66
CJTHT-63-4T-1,5/PLUS	1420	4,70	2,70		1,10	17800	69	69
CJTHT-63-4/8T-1,5/PLUS	1440/710		2,90/1,40		1,10/0,25	17800/8850	69/52	72
CJTHT-63-4T-2/PLUS	1425	6,60	3,80		1,50	20100	70	72
CJTHT-63-4/8T-2/PLUS	1415/715		3,60/1,50		1,50/0,30	20100/9950	70/53	84
CJTHT-63-4T-3/PLUS	1435	9,20	5,30		2,2	22300	72	78
CJTHT-63-4/8T-3/PLUS	1415/715		5,20/1,90		2,2/0,45	22300/11050	72/54	90
CJTHT-63-4T-4/PLUS	1430	11,40	6,60		3,00	24350	73	87
CJTHT-63-4/8T-4/PLUS	1425/710		6,80/2,20		3,00/0,60	24350/12100	73/55	101
CJTHT-63-6T-0,75/PLUS	930	3,30	1,90		0,55	14100	61	68
CJTHT-63-6/12T-0,75/PLUS	940/440		2,10/0,90		0,55/0,09	14100/6550	61/44	72
CJTHT-63-6T-1/PLUS	940	4,40	2,60		0,75	15950	62	72
CJTHT-63-6/12T-1/PLUS	935/430		2,50/1,03		0,75/0,15	15950/7400	62/45	78
CJTHT-71-4T-1,5/PLUS	1420	4,70	2,70		1,10	19550	74	85
CJTHT-71-4/8T-1,5/PLUS	1440/710		2,90/1,40		1,10/0,25	19550/9700	74/59	89
CJTHT-71-4T-2/PLUS	1425	6,60	3,80		1,50	22200	75	89
CJTHT-71-4/8T-2/PLUS	1415/715		3,60/1,50		1,50/0,30	22200/11050	75/60	101
CJTHT-71-4T-3/PLUS	1435	9,20	5,30		2,20	25850	76	95
CJTHT-71-4/8T-3/PLUS	1415/715		5,20/1,90		2,20/0,45	25850/12850	76/62	107
CJTHT-71-4T-4/PLUS	1430	11,40	6,60		3,00	29600	77	104
CJTHT-71-4/8T-4/PLUS	1425/710		6,80/2,20		3,00/0,60	29600/14700	77/63	118
CJTHT-71-6T-0,75/PLUS	930	3,30	1,90		0,55	16100	63	85
CJTHT-71-6/12T-0,75/PLUS	940/440		2,10/0,90		0,55/0,09	16100/7450	63/49	89
CJTHT-71-6T-1/PLUS	940	4,40	2,60		0,75	18050	64	88
CJTHT-71-6/12T-1/PLUS	935/430		2,50/1,03		0,75/0,15	18050/8350	64/49	95
CJTHT-71-6T-1,5/PLUS	945	6,40	3,70		1,10	20550	65	94
CJTHT-71-6/12T-1,5/PLUS	940/450		3,30/1,20		1,10/0,18	20550/9500	65/50	102
CJTHT-80-4T-3/PLUS	1435	9,20	5,30		2,20	25550	78	103
CJTHT-80-4/8T-3/PLUS	1415/715		5,20/1,90		2,20/0,45	25550/12700	78/63	115
CJTHT-80-4T-4/PLUS	1430	11,40	6,60		3,00	30400	79	112
CJTHT-80-4/8T-4/PLUS	1425/710		6,80/2,20		3,00/0,60	30400/15100	79/64	125
CJTHT-80-4T-5,5/PLUS	1440		8,40	4,80	4,00	32950	80	118
CJTHT-80-4/8T-5,5/PLUS	1455/725		9,30/3,40		4,00/0,80	32950/16350	80/65	153
CJTHT-80-6T-1,5/PLUS	945	6,40	3,70		1,10	21600	68	102
CJTHT-80-6/12T-1,5/PLUS	940/450		3,30/1,20		1,10/0,18	21600/7750	68/53	110
CJTHT-80-6T-2/PLUS	945	7,40	4,30		1,50	26100	69	111
CJTHT-80-6/12T-2/PLUS	960/470		4,30/1,70		1,50/0,25	26100/12100	69/54	115
CJTHT-80-6T-3/PLUS	950	10,30	5,90		2,20	30000	70	118
CJTHT-80-6/12T-3/PLUS	940/470		5,60/2,20		2,20/0,37	30000/13900	70/55	124
CJTHT-80-8T-0,75/PLUS	700	3,60	2,10		0,55	19050	67	95

Technical characteristics

Model	Speed (r/min)	Maximum admissible current (A)			Power installed (kW)	Airflow maximum (m³/h)	Sound pressure level dB(A)	Approx. weight (Kg)
		230V	400V	690V				
CJTHT-80-8T-1/PLUS	710	4,80	2,80		0,75	20750	68	102
CJTHT-90-4T-4/PLUS	1430	11,40	6,60		3,00	36150	82	136
CJTHT-90-4/8T-4/PLUS	1425/710		6,80/2,20		3,00/0,60	36150/17950	82/68	149
CJTHT-90-4T-5,5/PLUS	1440		8,40	4,80	4,00	41650	84	142
CJTHT-90-4/8T-5,5/PLUS	1455/725		9,30/3,4		4,00/0,80	41650/20700	84/69	177
CJTHT-90-4T-7,5/PLUS	1460		13,00	7,50	5,50	46350	86	168
CJTHT-90-4/8T-7,5/PLUS	1455/725		12,80/4,60		5,50/1,10	46350/23000	86/72	182
CJTHT-90-4T-10/PLUS	1460		17,70	10,20	7,50	50300	87	179
CJTHT-90-4/8T-9/PLUS	1455/725		15,50/5,50		6,70/1,50	48550/24100	87/73	182
CJTHT-90-6T-2/PLUS	945	7,40	4,30		1,50	28900	74	135
CJTHT-90-6/12T-2/PLUS	960/470		4,30/1,70		1,50/0,25	28900/13400	74/59	139
CJTHT-90-6T-3/PLUS	950	10,30	5,90		2,20	34050	75	142
CJTHT-90-6/12T-3/PLUS	940/470		5,60/2,20		2,20/0,37	34050/15750	75/60	148
CJTHT-90-6T-4/PLUS	970	14,60	8,40		3,00	39050	76	166
CJTHT-90-6/12T-4/PLUS	970/475		8,90/3,50		3,00/0,55	39050/18100	76/61	168
CJTHT-90-8T-1/PLUS	710	4,80	2,80		0,75	23000	68	126
CJTHT-90-8T-2/PLUS	700	9,00	5,20		1,50	30950	69	142
CJTHT-90-8T-3/PLUS	710	11,40	6,60		2,20	30950	70	158
CJTHT-100-4T-7,5/PLUS	1460		13,00	7,50	5,50	50950	88	176
CJTHT-100-4/8T-7,5/PLUS	1455/725		12,80/4,60		5,50/1,10	50950/25300	88/73	190
CJTHT-100-4T-10/PLUS	1460		17,70	10,20	7,50	57650	89	187
CJTHT-100-4/8T-9/PLUS	1455/725		15,50/5,50		6,70/1,50	54900/27250	89/74	190
CJTHT-100-4T-15/PLUS	1460		22,00	12,70	11,00	66500	90	231
CJTHT-100-4/8T-15/PLUS	1470/725		23,20/8,70		11,00/2,80	66500/33000	90/75	231
CJTHT-100-4T-20/PLUS	1460		29,00	16,70	15,00	76450	91	246
CJTHT-100-4/8T-20/PLUS	1470/725		31,70/11,80		15,00/3,80	76450/37950	91/76	246
CJTHT-100-6T-3/PLUS	950	10,30	5,90		2,20	37750	79	150
CJTHT-100-6/12T-3/PLUS	940/470		5,60/2,20		2,20/0,37	37750/17500	79/64	156
CJTHT-100-6T-4/PLUS	970	14,60	8,40		3,00	43550	80	175
CJTHT-100-6/12T-4/PLUS	970/475		8,90/3,50		3,00/0,55	43550/20200	80/65	176
CJTHT-100-6T-5,5/PLUS	970		11,00	6,40	4,00	47950	81	187
CJTHT-100-6/12T-5,5/PLUS	970/480		11,30/4,20		4,00/0,65	47950/22200	81/66	187
CJTHT-100-8T-2/PLUS	700	9,00	5,20		1,50	34700	74	150
CJTHT-100-8T-3/PLUS	710	11,40	6,60		2,20	40600	74	167
CJTHT-100-8T-4/PLUS	710	15,60	9,00		3,00	40600	75	187

Acoustic features

The specified values are determined according to free field measurements of pressure and sound levels in dB(A) at an equivalent distance of twice the fan's span plus the impeller's diameter, with a minimum of 1.5 m.

Sound power Lw(A) spectrum in dB(A) via frequency band in Hz.

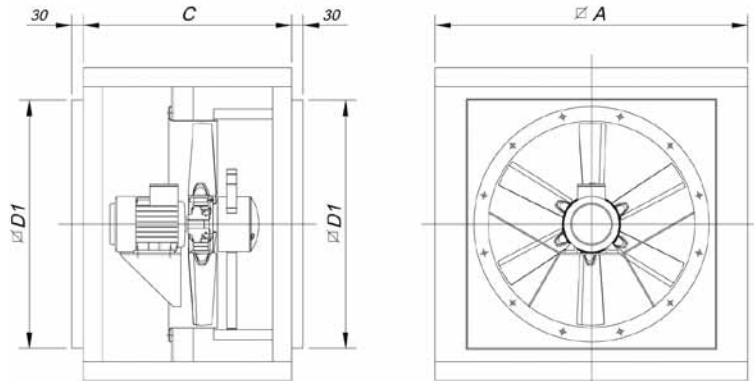
Model	63	125	250	500	1000	2000	4000	8000	Model	63	125	250	500	1000	2000	4000	8000
40-2-1,5	43	64	71	76	79	75	68	57	50-6	28	48	56	61	63	60	53	42
40-2-2	44	65	72	77	80	76	69	58	50-12	13	33	41	46	48	45	38	27
40-4-0,75	31	52	59	64	67	63	56	45	56-2-6	58	78	86	91	93	90	83	72
40-4-1,5	28	49	56	61	64	60	53	42	56-2-12	59	79	87	92	94	91	84	73
40-4-2	29	50	57	62	65	61	54	43	56-4-1	43	63	71	76	78	75	68	57
40-6	21	42	49	54	57	53	46	35	56-4-1,5	44	64	72	77	79	76	69	58
40-12	6	27	34	39	42	38	31	20	56-4-2	45	65	73	78	80	77	70	59
45-2-2	45	66	73	78	81	77	70	59	56-4-6	42	62	70	75	77	74	67	56
45-2-3	47	68	75	80	83	79	72	61	56-4-12	44	64	72	77	79	76	69	58
45-4-0,75	35	56	63	68	71	67	60	49	56-6	33	53	61	66	68	65	58	47
45-4-2	30	51	58	63	66	62	55	44	56-8-1,5	27	47	55	60	62	59	52	41
45-4-3	32	53	60	65	68	64	57	46	56-8-2	28	48	56	61	63	60	53	42
45-6	23	44	51	56	59	55	48	37	56-12	16	36	44	49	51	48	41	30
45-12	8	29	36	41	44	40	33	22	63-4-1	45	65	73	78	80	77	70	59
50-2-4	52	72	80	85	87	84	77	66	63-4-1,5	44	64	72	77	79	76	69	60
50-2-6	53	73	81	86	88	85	78	67	63-4-2	47	64	72	77	79	76	69	61
50-4-1	39	59	67	72	74	71	64	53	63-4-3	49	67	75	80	82	79	74	63
50-4-4	35	55	63	68	70	67	60	49	63-4-4	50	68	76	81	83	80	75	64
50-4-6	38	58	66	71	73	70	63	52	63-6-0,75	38	56	64	69	71	68	61	52

Acoustic features

Sound power Lw(A) spectrum in dB(A) via frequency band in Hz.

63-6-1	39	58	66	71	73	70	63	53	90-4-5,5	56	77	84	89	92	88	81	70
63-8-1,5	27	47	55	60	62	59	52	43	90-4-7,5	55	76	83	88	91	87	80	69
63-8-2	30	47	55	60	62	59	52	44	90-4-9	54	75	82	87	90	86	79	68
63-8-3	31	49	57	62	64	61	56	45	90-4-10	54	75	82	87	90	86	79	68
63-8-4	32	50	58	63	65	62	57	46	90-6-2	46	67	74	79	82	78	71	60
63-12-0,75	21	37	45	50	52	49	42	31	90-6-3	53	67	74	79	82	78	71	60
63-12-1	22	39	47	52	54	51	44	36	90-6-4	54	69	76	81	84	80	73	62
71-4-1,5	51	71	79	84	86	83	76	65	90-8-1	39	60	67	72	75	71	64	53
71-4-2	50	70	78	83	85	82	75	66	90-8-2	47	62	69	74	77	73	66	55
71-4-3	53	68	76	81	83	80	73	67	90-8-3	48	62	69	74	77	73	66	55
71-4-4	54	69	77	82	84	81	74	68	90-8-4	43	64	71	76	79	75	68	60
71-6-0,75	40	60	68	71	73	70	63	52	90-8-5,5	41	62	69	74	77	73	66	55
71-6-1	41	61	69	71	73	70	63	52	90-8-7,5	40	61	68	73	76	72	65	54
71-6-1,5	42	62	67	72	74	71	64	53	90-8-9	40	61	68	73	76	72	65	54
71-8-1,5	36	55	63	68	70	67	61	50	90-12-2	29	50	57	62	65	61	54	43
71-8-2	35	55	63	68	70	67	60	51	90-12-3	38	50	57	62	65	61	54	43
71-8-3	39	54	62	67	69	66	59	53	90-12-4	39	52	59	64	67	63	56	45
71-8-4	40	55	63	68	70	67	60	54	100-4-7,5	61	81	89	94	96	93	86	75
71-12-0,75	26	42	50	55	57	54	47	36	100-4-9	60	80	88	93	95	92	85	74
71-12-1	26	42	50	55	57	54	47	36	100-4-10	59	79	87	92	94	91	84	73
71-12-1,5	27	42	50	55	57	54	47	36	100-4-15	58	78	86	91	93	90	83	72
80-4-3	55	74	82	88	89	86	80	69	100-4-20	60	80	88	93	95	92	85	74
80-4-4	53	73	81	86	88	85	78	70	100-6-3	59	70	78	83	85	82	75	64
80-4-5,5	53	73	81	86	88	85	78	71	100-6-4	60	68	76	81	83	80	73	62
80-6-1,5	45	62	70	75	77	74	67	56	100-6-5,5	61	70	78	83	85	82	75	64
80-6-2	46	63	71	76	78	75	68	57	100-8-2	54	64	72	77	79	76	69	58
80-6-3	47	64	72	77	79	76	69	58	100-8-3	54	66	74	79	81	78	71	60
80-8-0,75	44	57	65	70	72	69	62	51	100-8-4	55	66	74	79	81	78	71	60
80-8-1	45	58	66	71	73	70	63	52	100-8-7,5	46	66	74	79	81	78	71	60
80-8-3	40	59	67	73	74	71	65	54	100-8-9	45	65	73	78	80	77	70	59
80-8-4	38	58	66	71	73	70	63	55	100-8-15	43	63	71	76	78	75	68	57
80-8-5,5	37	57	65	70	72	69	62	56	100-8-20	44	64	72	77	79	76	69	58
80-12-1,5	30	45	53	58	60	57	50	39	100-12-3	44	53	61	66	68	65	58	47
80-12-2	31	46	54	59	61	58	51	40	100-12-4	45	52	60	65	67	64	57	46
80-12-3	32	47	55	60	62	59	52	41	100-12-5,5	46	53	61	66	68	65	58	47
90-4-4	57	78	85	90	93	89	82	74									

Dimensions in mm



Model	∅A	C	∅D1
CJTHT/PLUS-40/45/50	700	550	565
CJTHT/PLUS-56/63	825	550	690
CJTHT/PLUS-71/80	1000	650	850
CJTHT/PLUS-90/100	1200	750	1050

Characteristic curves

See characteristic curves on page 33.

Accessories

See accessories section

