

TCR/R CJTCR/R



TCR/R



CJTCR/R

400°C/2h centrifugal fans and extraction units with backward-curved impeller

TCR/R: 400°C/2h robust centrifugal single-inlet fans to work outside fire danger zones fitted with impeller with backward-curved blades.

CJTCR/R: 400°C/2h robust single-inlet fans with soundproofed plate to work outside fire danger zones.

Fan:

- Steel sheet casing
- Impeller with backward-curved blades made from robust sheet steel and heat-resistant paint
- Approval according to Standard EN 12101-3:2002/AC:2006, with certification No: 0370-CPR-0400 (TCR/R) and No.: 0370-CPR-0401 (CJTCR/R)

Motor:

- Class F insulation, IP55
- Three-phase 230/400V.-50Hz. (up to 5.5HP) and 400/690V.-50Hz. (power over 5.5HP)
- Max. air temperature to transport: S1 Service -20°C+ 250°C for ongoing use, S2 300°C/2h and 400°C/2h

Finish:

- Anti-corrosive finish in polyester resin, polymerised at 190°C after phosphate free pre-treatment.
- CJTCR/R: Anti-corrosive galvanised sheet steel.

On request:

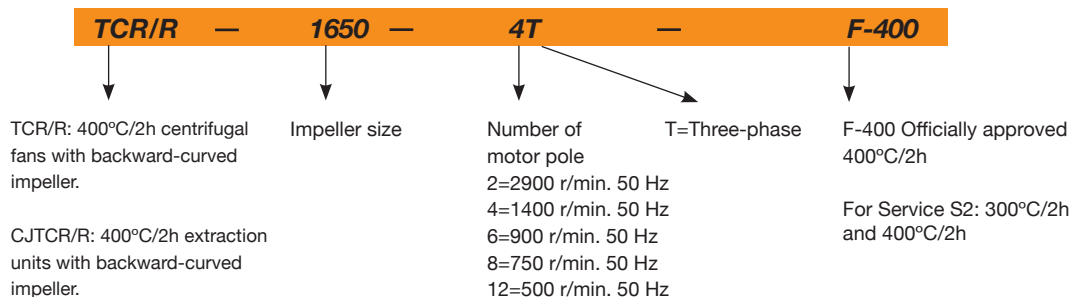
- Fans with two-speed motor.
- Belt-driven fans



High-performance and robust backward-curved impeller.



Order code



Technical characteristics

Model	Speed (r/min)	Maximum admissible current (A)			Power installed (kW)	Airflow maximum (m³/h)	Sound pressure level dB(A)		Approx. weight (Kg)	
		230V	400V	690V			TCR/R	CJCR/R	TCR/R	CJTCR/R
TCR/R CJTCR/R 1240-2T	2870	13.60	7.82		4.00	11100	86	81	93	147
TCR/R CJTCR/R 1240-4T	1410	3.10	1.79		0.75	5800	71	66	71	125
TCR/R CJTCR/R 1445-2T	2870		14.50	8.37	7.50	16500	87	82	126	210
TCR/R CJTCR/R 1445-4T	1400	4.03	2.32		1.10	8030	72	67	93	177
TCR/R CJTCR/R 1650-4T	1430	5.96	3.44		1.50	10500	74	68	114	189
TCR/R CJTCR/R 1650-6T	945	3.90	2.20		0.75	7410	64	59	111	186
TCR/R CJTCR/R 1856-4T	1445	10.96	6.33		3.00	15150	79	74	152	273
TCR/R CJTCR/R 1856-6T	945	4.88	2.82		1.10	10050	70	65	145	266
TCR/R CJTCR/R 2063-4T	1440		11.60	6.70	5.50	24450	80	75	225	380
TCR/R CJTCR/R 2063-6T	955	6.42	3.71		1.50	16100	71	66	209	364
TCR/R CJTCR/R 2271-4T	1460		20.20	11.66	11.00	34610	85	79	315	508
TCR/R CJTCR/R 2271-6T	960	12.70	7.30		3.00	22750	76	71	280	473



Erp. BEP (best efficiency point) characteristics

<(°)	Angle of inclination of the blades, in degrees	SR	Specific ratio
PN	Motor's nominal power in kW	ηe[%]	Efficiency
MC	Measurement category	N	Efficiency grade
EC	Efficiency category	[kW]	Input power
S	Static	[m³/h]	Airflow
T	Total	[mmH²O]	Static or total pressure (According to EC)
VSD	Variable-speed drive	[RPM]	Speed

	MC	EC	VSD	SR	ηe[%]	N	(kW)	(m³/h)	(mmH₂O)	(RPM)
1240-2T	A	S	NO	1.02	67.6%	71.1	4.622	6744	169.95	2871
1240-4T	A	S	NO	1.00	50.6%	63.8	0.550	2924	34.89	1448
1445-2T	A	S	NO	1.02	63.4%	64.5	7.943	8951	206.50	2879
1445-4T	A	S	NO	1.01	55.3%	66.0	0.966	3883	50.49	1428
1650-4T	A	S	NO	1.01	58.3%	66.8	1.532	5378	60.90	1441
1650-6T	A	S	NO	1.00	47.6%	60.7	0.566	4109	24.02	969
1856-4T	A	S	NO	1.01	58.8%	64.2	3.028	8342	78.29	1453
1856-6T	A	S	NO	1.00	50.4%	60.8	1.013	5632	33.24	960
2063-4T	B	T	NO	1.01	76.4%	78.7	6.032	13932	121.38	1442
2063-6T	A	S	NO	1.00	61.2%	69.0	1.790	9620	41.77	957
2271-4T	B	T	NO	1.01	75.4%	75.3	12.117	22380	149.81	1460
2271-6T	B	T	NO	1.01	65.9%	70.6	3.546	15016	57.11	960

Acoustic features

The specified values are determined according to free field measurements of pressure and sound levels in dB(A) at an equivalent distance of twice the fan's span plus the iturbine's diameter, with a minimum of 1.5 m.

Sound power Lw(A) spectrum in dB(A) via frequency band in Hz.

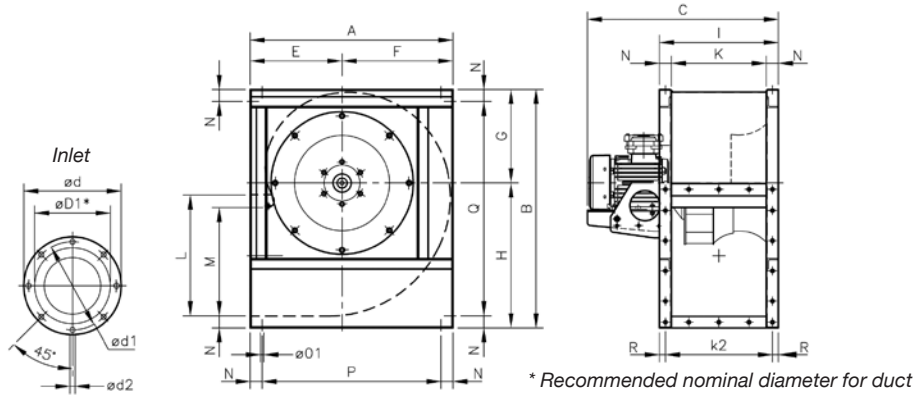
TCR/R Model	63	125	250	500	1000	2000	4000	8000	CJTCR/R Model	63	125	250	500	1000	2000	4000	8000
1240-2	68	83	81	93	90	94	96	83	1240-2	63	78	76	88	85	89	91	78
1240-4	56	40	76	79	79	80	70	59	1240-4	51	65	71	74	74	75	65	54
1445-2	73	85	83	95	93	97	99	89	1445-2	68	80	78	90	88	92	94	84
1445-4	59	72	78	83	80	83	78	64	1445-4	54	67	73	78	75	78	73	59
1650-4	64	74	82	84	83	85	76	66	1650-4	58	68	76	78	77	79	70	60
1650-6	53	65	72	77	73	69	62	54	1650-6	48	60	67	72	68	64	57	49
1856-4	69	78	91	87	90	91	85	71	1856-4	64	73	86	82	85	86	80	66
1856-6	61	69	81	83	80	81	71	60	1856-6	56	64	76	78	75	76	66	55
2063-4	80	85	91	93	91	88	81	73	2063-4	75	80	86	88	86	83	76	68
2063-6	69	70	82	82	81	83	73	63	2063-6	64	65	77	77	76	78	68	58
2271-4	83	84	93	96	98	99	95	82	2271-4	77	78	87	90	92	93	89	76
2271-6	73	73	87	86	90	90	79	68	2271-6	68	68	82	81	85	85	74	63

Positions

LG 270 standard supply

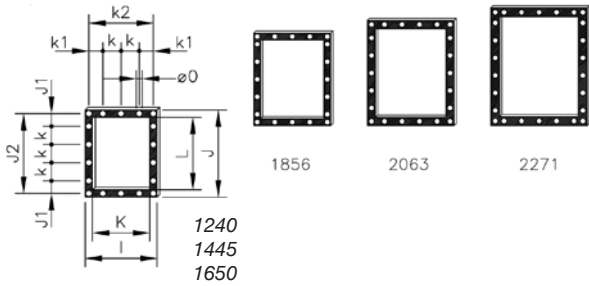


Dimensions in mm



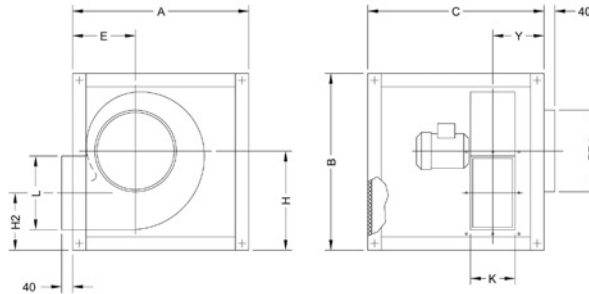
Model	A	B	C	ØD1*	Ød	Ød1	Ød2	E	F	G	H	I	M	N	Ø01	P	Q	R
TCR/R 1240-2T	673	790	734	400	472	444	M.8	305	368	310	480	395	358.5	40	11	593	710	20
TCR/R 1240-4T	673	790	634	400	472	444	M.8	305	368	310	480	395	358.5	40	11	593	710	20
TCR/R 1445-2T	765	880	815	450	522	494	M.8	350	415	339	541	445	407	45	11	675	790	20
TCR/R 1445-4T	765	880	727	450	522	494	M.8	350	415	339	541	445	407	45	11	675	790	20
TCR/R 1650-4T	832	970	770.5	500	582	555	M.10	375	457	378	592	490	445	45	13	742	880	20
TCR/R 1650-6T	832	970	770.5	500	582	555	M.10	375	457	378	592	490	445	45	13	742	880	20
TCR/R 1856-4T	925	1084	857.5	560	645	615	M.10	415	510	424	660	550	493	50	13	825	984	25
TCR/R 1856-6T	925	1084	828	560	645	615	M.10	415	510	424	660	550	493	50	13	825	984	25
TCR/R 2063-4T	1037	1218	955	630	720	688	M.10	465	572	477	741	620	530	60	13	917	1098	30
TCR/R 2063-6T	1037	1218	932	630	720	688	M.10	465	572	477	741	620	530	60	13	917	1098	30
TCR/R 2271-4T	1173	1375	1149	710	800	768	M.12	525	648	538	837	690	603.5	65	13	1043	1245	32.5
TCR/R 2271-6T	1173	1375	1112	710	800	768	M.12	525	648	538	837	690	603.5	65	13	1043	1245	32.5

Outlet



Model	I	J	J1	J2	K	k	k1	k2	L	Ø0
TCR/R-1240	395	480	70	440	315	100	77.5	355	400	11
TCR/R-1445	445	540	99	498	355	100	102.5	405	450	11
TCR/R-1650	490	590	87.5	550	400	125	100	450	500	13
TCR/R-1856	550	660	55	610	450	125	125	500	560	13
TCR/R-2063	620	750	95	690	500	125	92.5	560	630	13
TCR/R-2271	690	840	75	775	560	125	62.5	625	710	13

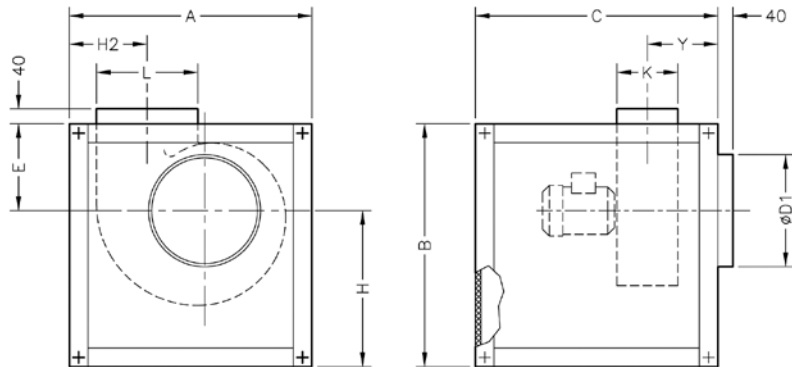
Standard supply: LG-270



Model	A	B	C	ØD1	E	H	H2	K	L	Y
CJTCR/R-1240	970	970	970	400	312	549	308	315	400	307.5
CJTCR/R-1445	1070	1070	1070	450	357	610	339	355	450	333.5
CJTCR/R-1650	1160	1160	1160	500	382	660	365	400	500	355
CJTCR/R-1856	1260	1260	1050	560	422	727	399	450	560	360
CJTCR/R-2063	1400	1400	1200	630	472	810	444	500	630	395
CJTCR/R-2271	1555	1555	1355	710	532	906	560	560	715	430

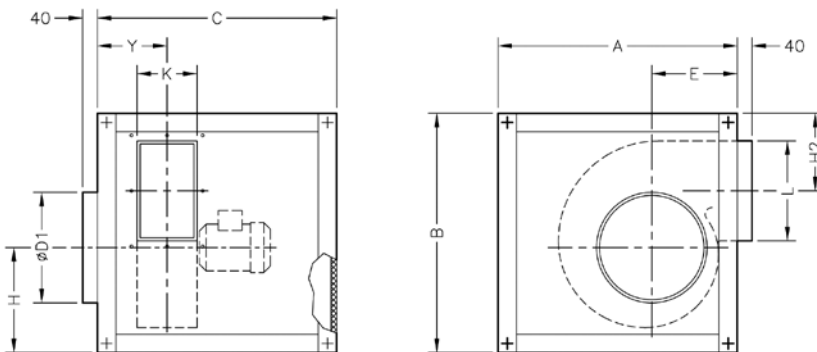
Dimensions in mm

Supplied on request: LG-0

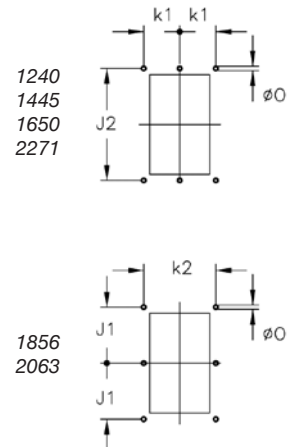


Model	A	B	C	ØD1	E	H	H2	K	L	Y
CJTTCR/R-1240	970	970	970	400	533	437	322	315	400	307.5
CJTTCR/R-1445	1070	1070	1070	450	586	484	367	355	450	333.5
CJTTCR/R-1650	1160	1160	1160	500	634.5	525.5	391.5	400	500	355
CJTTCR/R-1856	1260	1260	1050	560	681.5	578.5	442.5	450	560	360
CJTTCR/R-2063	1400	1400	1200	630	759	641	482	500	630	395
CJTTCR/R-2271	1555	1555	1355	710	838	717	518.5	560	715	430

Supplied on request: LG-90



Detail of drills outlet



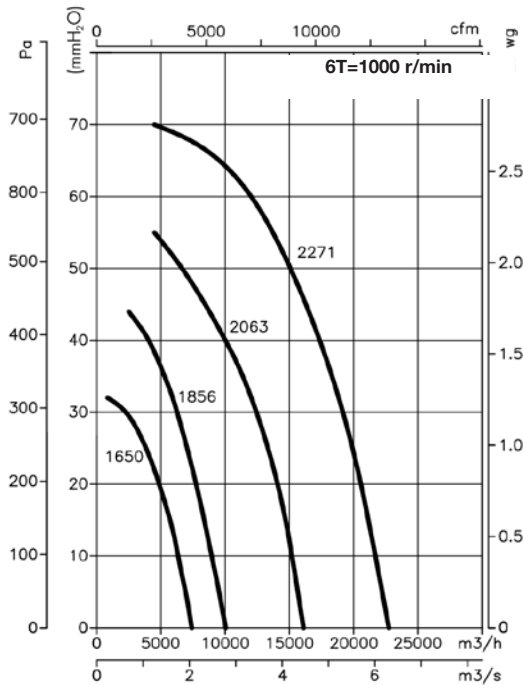
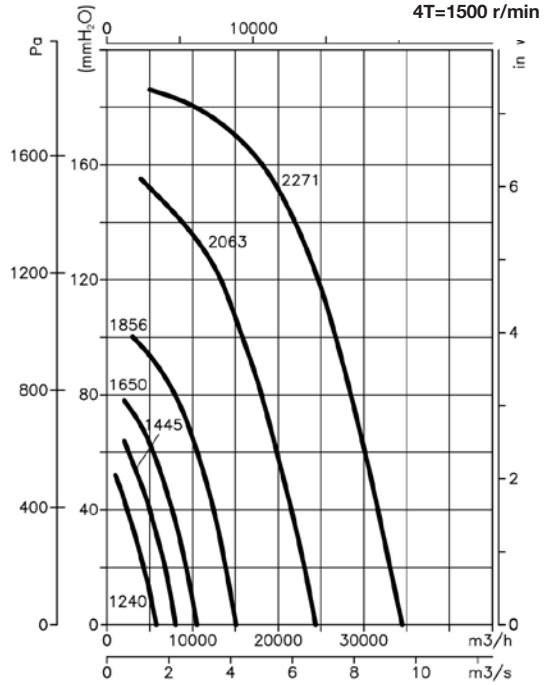
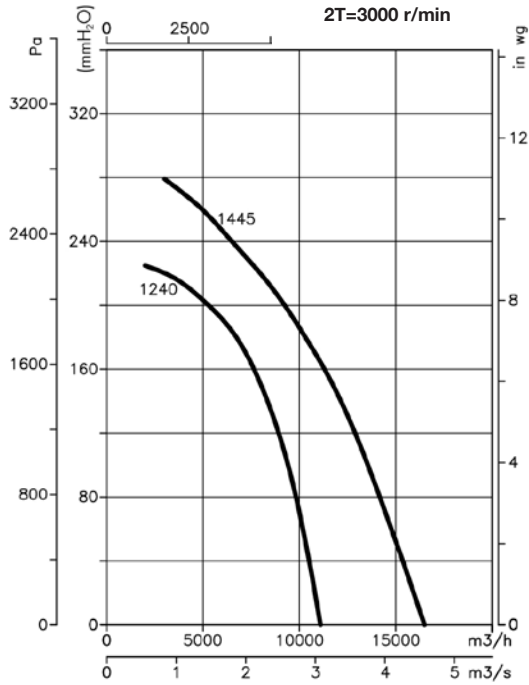
Model	A	B	C	ØD1	E	H	H2	K	L	Y
CJTTCR/R-1240	970	970	970	400	312	379	350	315	400	307.5
CJTTCR/R-1445	1070	1070	1070	450	357	408	391	355	450	333.5
CJTTCR/R-1650	1160	1160	1160	500	382	447	419	400	500	355
CJTTCR/R-1856	1260	1260	1050	560	422	495	438	450	560	360
CJTTCR/R-2063	1400	1400	1200	630	472	546	488	500	630	395
CJTTCR/R-2271	1555	1555	1355	710	532	607	532	560	715	430

Model	k1	k2	J1	J2	Ø0
CJTTCR/R-1240	177.5	-	-	440	11
CJTTCR/R-1445	202.5	-	-	498	11
CJTTCR/R-1650	225	-	-	550	13
CJTTCR/R-1856	-	500	305	-	13
CJTTCR/R-2063	-	560	345	-	13
CJTTCR/R-2271	312.5	-	-	775	13

Characteristic curves

Q = Airflow in m³/h, m³/s and cfm.

Pe = Static pressure in mmH₂O, Pa and inwg.



Accessories

See accessories section

