

CDXR CDXRT CJDXR



CDXR: Belt-driven double-inlet centrifugal fans with shaft outlet on both sides and backward-curved impeller.
CDXRT: Belt-driven double-inlet centrifugal fans fitted with electric motors, a set of pulleys, belts, protectors and impellers with backward-curved impeller.
CJDXR: Ventilation units with backward-curved impeller, acoustic insulation and fitted with CDXR series fans mounted on rubber shock-absorbers.



CDXR



CDXRT



CJDXR

Fan:

- Galvanised sheet steel casing.
- Backward-curved impeller made of galvanised sheet steel.
- Galvanised sheet steel structure with thermal and acoustic insulation (CJDXR).
- Cable gland for cable inlet (CJDXR).

Motor:

- Class F motors with ball bearings and IP55 protection.
- Three-phase 230/400 V-50 Hz (up to 4 kW) and 400/690 V-50 Hz (powers higher than 4 kW).
- IE3 efficiency motors for powers equal to or greater than 0.75 kW except single-phase, 2-speed and 8-pole.
- Maximum temperature of air to be carried: -20 °C + 60 °C

Finish:

- Anti-corrosive finish on galvanised sheet steel.

On request:

- Different outlet nozzle positions.
- Special windings for different voltages.
- With 2-speed motors.

Order code

CDXR — 450



CDXR: Belt-driven double inlet centrifugal fans with shaft outlet and backward-curved impeller.

Impeller size mm

CDXRT — 450 — 3



CDXRT: Belt-driven double inlet centrifugal fans fitted with electric motors and impellers with backward-curved impeller.

Impeller size mm

Motor power (HP)

CJDXR: Ventilation units fitted with impeller with backward-curved blades.

Technical characteristics

Model	Speed	Max. installed power (kW)	Maximum flow rate m ³ /h	Air temperature (°C)		Weight (kg)	According to ErP
	(r/min)			min.	max.		
CDXR-200	4900	2.00	3970	-20	+60	10	2015
CDXR-250	4100	3.00	5740	-20	+60	18	2015
CDXR-315	3200	4.80	11870	-20	+60	33	2015
CDXR-355	2800	5.50	15270	-20	+60	43	2015
CDXR-400	2400	6.00	17250	-20	+60	51	2015
CDXR-450	2200	8.00	21890	-20	+60	68	2015
CDXR-500	2000	12.00	29050	-20	+60	84	2015
CDXR-560	1800	14.00	36000	-20	+60	142	2015
CDXR-630	1700	20.00	47480	-20	+60	168	2015
CDXR-710	1400	20.00	56000	-20	+60	223	2015
CDXR-800	1300	30.00	72880	-20	+60	300	2015
CDXR-900	1200	43.00	96670	-20	+60	482	2015
CDXR-1000	1100	55.00	117640	-20	+60	530	2015

CENTRIFUGAL FANS AND IN-LINE DUCT EXTRACTOR FANS

Technical characteristics

Model	Speed (r/min)	Maximum admissible current			Installed power (kW)	Maximum flow rate (m ³ /h)	Sound pressure level (dBA)	Air temperature (°C)		Approx. weight (kg)	According to ErP		Assembly
		230 V	400 V	690 V				min.	max.		CDXRT	CJDXR	
CDXRT CJDXR 200-0.33	2520	1.29	0.75		0.25	2040	68	-20	+60	31	*	2018	A
CDXRT CJDXR 200-0.5	2870	1.76	1.02		0.37	2330	71	-20	+60	32	*	2018	A
CDXRT CJDXR 200-0.75	3280	2.57	1.49		0.55	2660	75	-20	+60	35	2015	2018	A
CDXRT CJDXR 200-1 IE3	3640	2.80	1.61		0.75	2950	77	-20	+60	38	2015	2018	A
CDXRT CJDXR 200-1.5 IE3	4135	4.03	2.32		1.10	3350	80	-20	+60	45	2015	2018	A
CDXRT CJDXR 200-2 IE3	4590	5.34	3.07		1.50	3720	83	-20	+60	49	2015	2018	A
CDXRT CJDXR 200-3 IE3	4900	7.70	4.43		2.20	3970	84	-20	+60	54	2015	2018	A
CDXRT CJDXR 250-0.33	1760	1.29	0.75		0.25	2490	65	-20	+60	39	*	2018	A
CDXRT CJDXR 250-0.5	2005	1.76	1.02		0.37	2840	68	-20	+60	40	2015	2018	A
CDXRT CJDXR 250-0.75	2285	2.57	1.49		0.55	3240	71	-20	+60	43	2015	2018	A
CDXRT CJDXR 250-1 IE3	2535	2.80	1.61		0.75	3590	73	-20	+60	47	2015	2018	A
CDXRT CJDXR 250-1.5 IE3	2885	4.03	2.32		1.10	4080	77	-20	+60	53	2015	2018	A
CDXRT CJDXR 250-2 IE3	3200	5.34	3.07		1.50	4530	79	-20	+60	57	2015	2018	A
CDXRT CJDXR 250-3 IE3	3645	7.70	4.43		2.20	5160	83	-20	+60	62	2015	2018	A
CDXRT CJDXR 250-4 IE3	4055	10.00	5.77		3.00	5740	85	-20	+60	70	2015	2018	A
CDXRT CJDXR 315-0.75	1535	2.57	1.49		0.55	5690	63	-20	+60	61	2015	2018	A
CDXRT CJDXR 315-1 IE3	1700	2.80	1.61		0.75	6300	66	-20	+60	65	2015	2018	A
CDXRT CJDXR 315-1.5 IE3	1930	4.03	2.32		1.10	7170	69	-20	+60	72	2015	2018	A
CDXRT CJDXR 315-2 IE3	2145	5.34	3.07		1.50	7960	72	-20	+60	75	2015	2018	A
CDXRT CJDXR 315-3 IE3	2445	7.70	4.43		2.20	9060	75	-20	+60	80	2015	2018	A
CDXRT CJDXR 315-4 IE3	2720	10.00	5.77		3.00	10080	78	-20	+60	89	2015	2018	A
CDXRT CJDXR 315-5.5 IE3	3000	13.00	7.50		4.00	11130	80	-20	+60	104	2015	2018	B
CDXRT CJDXR 315-7.5 IE3	3200		10.10	5.86	5.50	11870	81	-20	+60	128	2015	2018	B
CDXRT CJDXR 355-0.75	1285	2.87	1.66		0.55	7000	64	-20	+60	77	2015	2018	A
CDXRT CJDXR 355-1 IE3	1425	2.82	1.62		0.75	7760	66	-20	+60	82	2015	2018	A
CDXRT CJDXR 355-1.5 IE3	1615	4.07	2.34		1.10	8820	69	-20	+60	92	2015	2018	A
CDXRT CJDXR 355-2 IE3	1795	5.48	3.15		1.50	9790	72	-20	+60	96	2015	2018	A
CDXRT CJDXR 355-3 IE3	2045	7.93	4.56		2.20	11150	75	-20	+60	105	2015	2018	A
CDXRT CJDXR 355-4 IE3	2285	10.70	6.15		3.00	12450	78	-20	+60	111	2015	2018	A
CDXRT CJDXR 355-5.5 IE3	2520	13.90	8.00		4.00	13740	80	-20	+60	123	2015	2018	B
CDXRT CJDXR 355-7.5 IE3	2800		10.30	5.97	5.50	15270	83	-20	+60	148	2015	2018	B
CDXRT CJDXR 400-1.5 IE3	1330	4.07	2.34		1.10	9600	66	-20	+60	101	2015	2018	A
CDXRT CJDXR 400-2 IE3	1475	5.48	3.15		1.50	10660	69	-20	+60	105	2015	2018	A
CDXRT CJDXR 400-3 IE3	1680	7.93	4.56		2.20	12140	72	-20	+60	114	2015	2018	A
CDXRT CJDXR 400-4 IE3	1870	10.70	6.15		3.00	13510	75	-20	+60	120	2015	2018	A
CDXRT CJDXR 400-5.5 IE3	2065	13.90	8.00		4.00	14910	77	-20	+60	132	2015	2018	B
CDXRT CJDXR 400-7.5 IE3	2305		10.30	5.97	5.50	16640	80	-20	+60	157	2015	2018	B
CDXRT CJDXR 400-10 IE3	2390		13.90	8.06	7.50	17250	81	-20	+60	166	2015	2018	B
CDXRT CJDXR 450-1.5 IE3	1105	4.07	2.34		1.10	11050	64	-20	+60	120	2015	2018	A
CDXRT CJDXR 450-2 IE3	1225	5.48	3.15		1.50	12250	67	-20	+60	123	2015	2018	A
CDXRT CJDXR 450-3 IE3	1400	7.93	4.56		2.20	14000	70	-20	+60	132	2015	2018	A
CDXRT CJDXR 450-4 IE3	1555	10.70	6.15		3.00	15550	73	-20	+60	138	2015	2018	A
CDXRT CJDXR 450-5.5 IE3	1720	13.90	8.00		4.00	17200	75	-20	+60	150	2015	2018	B
CDXRT CJDXR 450-7.5 IE3	1915		10.30	5.97	5.50	19150	77	-20	+60	176	2015	2018	B
CDXRT CJDXR 450-10 IE3	2125		13.90	8.06	7.50	21250	80	-20	+60	185	2015	2018	B
CDXRT CJDXR 450-15 IE3	2190		21.40	12.40	11.00	21890	80	-20	+60	236	2015	2018	B
CDXRT CJDXR 500-1.5 IE3	910	4.07	2.34		1.10	12840	62	-20	+60	140	2015	2018	A
CDXRT CJDXR 500-2 IE3	1015	5.48	3.15		1.50	14250	65	-20	+60	143	2015	2018	A
CDXRT CJDXR 500-3 IE3	1155	7.93	4.56		2.20	16240	68	-20	+60	152	2015	2018	A
CDXRT CJDXR 500-4 IE3	1285	10.70	6.15		3.00	18060	71	-20	+60	158	2015	2018	A
CDXRT CJDXR 500-5.5 IE3	1415	13.90	8.00		4.00	19940	73	-20	+60	170	2015	2018	B
CDXRT CJDXR 500-7.5 IE3	1580		10.30	5.97	5.50	22250	76	-20	+60	196	2015	2018	B
CDXRT CJDXR 500-10 IE3	1755		13.90	8.06	7.50	24680	79	-20	+60	205	2015	2018	B
CDXRT CJDXR 500-15 IE3	1995		21.40	12.40	11.00	28040	82	-20	+60	256	2015	2018	B
CDXRT CJDXR 500-20 IE3	2065		28.70	16.60	15.00	29050	83	-20	+60	251	2015	2018	B
CDXRT CJDXR 560-2 IE3	840	5.48	3.15		1.50	16760	56	-20	+60	212	2015	2018	A
CDXRT CJDXR 560-3 IE3	955	7.93	4.56		2.20	19090	59	-20	+60	221	2015	2018	A
CDXRT CJDXR 560-4 IE3	1060	10.70	6.15		3.00	21230	62	-20	+60	227	2015	2018	A
CDXRT CJDXR 560-5.5 IE3	1170	13.90	8.00		4.00	23450	64	-20	+60	239	2015	2018	B
CDXRT CJDXR 560-7.5 IE3	1310		10.30	5.97	5.50	26170	67	-20	+60	265	2015	2018	B

Technical characteristics

Model	Speed (r/min)	Maximum admissible current			Installed power (kW)	Maximum flow rate (m ³ /h)	Sound pressure level (dBA)	Air temperature (°C)		Approx. weight (kg)	According to ErP		Assembly
		230 V	400 V	690 V				min.	max.		CDXRT	CJDXR	
CDXRT CJDXR 560-10 IE3	1450		13.90	8.06	7.50	29020	69	-20	+60	274	2015	2018	B
CDXRT CJDXR 560-15 IE3	1650		21.40	12.40	11.00	32970	73	-20	+60	325	2015	2018	B
CDXRT CJDXR 560-20 IE3	1800		28.70	16.60	15.00	36000	75	-20	+60	320	2015	2018	B
CDXRT CJDXR 630-2 IE3	680	6.43	3.70		1.50	19160	58	-20	+60	251	2015	2018	A
CDXRT CJDXR 630-3 IE3	775	9.08	5.22		2.20	21810	61	-20	+60	261	2015	2018	A
CDXRT CJDXR 630-4 IE3	860	12.00	6.91		3.00	24300	64	-20	+60	281	2015	2018	A
CDXRT CJDXR 630-5.5 IE3	950	15.60	8.99		4.00	26790	66	-20	+60	291	2015	2018	B
CDXRT CJDXR 630-7.5 IE3	1060		11.20	6.49	5.50	29900	69	-20	+60	300	2015	2018	B
CDXRT CJDXR 630-10 IE3	1175		14.80	8.58	7.50	33140	72	-20	+60	320	2015	2018	B
CDXRT CJDXR 630-15 IE3	1335		22.00	12.80	11.00	37660	75	-20	+60	355	2015	2018	B
CDXRT CJDXR 630-20 IE3	1480		28.00	16.20	15.00	41770	78	-20	+60	409	2015	2018	B
CDXRT CJDXR 630-25 IE3	1590		35.00	20.30	18.50	44800	79	-20	+60	427	2015	2018	B
CDXRT CJDXR 630-30 IE3	1685		41.60	24.10	22.00	47480	81	-20	+60	436	2015	2018	B
CDXRT CJDXR 710-3 IE3	645	9.08	5.22		2.20	25880	59	-20	+60	324	2015	2018	A
CDXRT CJDXR 710-4 IE3	720	12.00	6.91		3.00	28790	62	-20	+60	344	2015	2018	A
CDXRT CJDXR 710-5.5 IE3	795	15.60	8.99		4.00	31790	64	-20	+60	354	2015	2018	B
CDXRT CJDXR 710-7.5 IE3	885		11.20	6.49	5.50	35470	67	-20	+60	364	2015	2018	B
CDXRT CJDXR 710-10 IE3	985		14.80	8.58	7.50	39330	70	-20	+60	384	2015	2018	B
CDXRT CJDXR 710-15 IE3	1115		22.00	12.80	11.00	44700	73	-20	+60	419	2015	2018	B
CDXRT CJDXR 710-20 IE3	1240		28.00	16.20	15.00	49570	76	-20	+60	473	2015	2018	B
CDXRT CJDXR 710-25 IE3	1330		35.00	20.30	18.50	53150	77	-20	+60	491	2015	2018	B
CDXRT CJDXR 710-30 IE3	1400		41.60	24.10	22.00	56000	79	-20	+60	500	2015	2018	B
CDXRT - 800-4 IE3	595	12.00	6.91		3.00	33660	60	-20	+60	457	2015	-	A
CDXRT - 800-5.5 IE3	655	15.60	8.99		4.00	37170	62	-20	+60	467	2015	-	B
CDXRT - 800-7.5 IE3	735		11.20	6.49	5.50	41460	65	-20	+60	477	2015	-	B
CDXRT - 800-10 IE3	815		14.80	8.58	7.50	46060	68	-20	+60	497	2015	-	B
CDXRT - 800-15 IE3	925		22.00	12.80	11.00	52310	71	-20	+60	532	2015	-	B
CDXRT - 800-20 IE3	1025		28.00	16.20	15.00	57960	74	-20	+60	586	2015	-	B
CDXRT - 800-25 IE3	1100		35.00	20.30	18.50	62170	75	-20	+60	605	2015	-	B
CDXRT - 800-30 IE3	1160		41.60	24.10	22.00	65750	77	-20	+60	614	2015	-	B
CDXRT - 800-40 IE3	1290		55.40	32.10	30.00	72880	79	-20	+60	798	2015	-	B
CDXRT - 900-5.5 IE3	540	15.60	8.99		4.00	43370	60	-20	+60	667	2015	-	B
CDXRT - 900-7.5 IE3	600		11.20	6.49	5.50	48200	62	-20	+60	677	2015	-	B
CDXRT - 900-10 IE3	665		14.80	8.58	7.50	53540	65	-20	+60	697	2015	-	B
CDXRT - 900-15 IE3	760		22.00	12.80	11.00	61230	69	-20	+60	732	2015	-	B
CDXRT - 900-20 IE3	840		28.00	16.20	15.00	67560	71	-20	+60	787	2015	-	B
CDXRT - 900-25 IE3	895		35.00	20.30	18.50	72090	72	-20	+60	807	2015	-	B
CDXRT - 900-30 IE3	955		41.60	24.10	22.00	77020	74	-20	+60	816	2015	-	B
CDXRT - 900-40 IE3	1055		55.40	32.10	30.00	84890	77	-20	+60	999	2015	-	B
CDXRT - 900-50 IE3	1130		67.20	39.00	37.00	91040	78	-20	+60	1057	2015	-	B
CDXRT - 900-60 IE3	1200		84.40	48.90	45.00	96670	80	-20	+60	1270	2015	-	B
CDXRT - 1000-7.5 IE3	520		11.20	6.49	5.50	55400	60	-20	+60	737	2015	-	B
CDXRT - 1000-10 IE3	575		14.80	8.58	7.50	61300	63	-20	+60	757	2015	-	B
CDXRT - 1000-15 IE3	650		22.00	12.80	11.00	69640	66	-20	+60	792	2015	-	B
CDXRT - 1000-20 IE3	720		28.00	16.20	15.00	77240	69	-20	+60	847	2015	-	B
CDXRT - 1000-25 IE3	775		35.00	20.30	18.50	82870	70	-20	+60	865	2015	-	B
CDXRT - 1000-30 IE3	820		41.60	24.10	22.00	87820	72	-20	+60	874	2015	-	B
CDXRT - 1000-40 IE3	910		55.40	32.10	30.00	97310	74	-20	+60	1058	2015	-	B
CDXRT - 1000-50 IE3	975		67.20	39.00	37.00	104410	76	-20	+60	1116	2015	-	B
CDXRT - 1000-60 IE3	1040		84.40	48.90	45.00	111450	77	-20	+60	1329	2015	-	B
CDXRT - 1000-75 IE3	1100		103.00	59.70	55.00	117640	79	-20	+60	1354	2015	-	B

* Equipment not covered by Directive 2009/125/EC



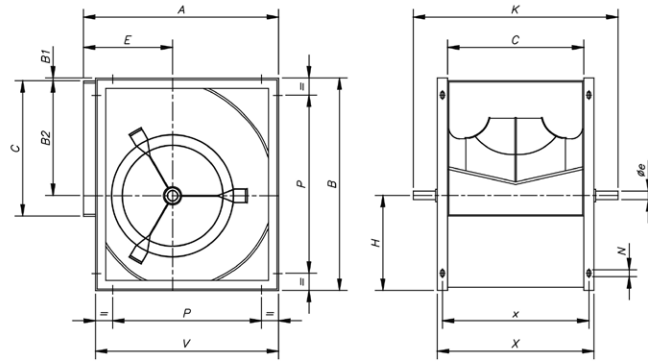
Erp. (Energy Related Products)

Information on Directive 2009/125/EC can be downloaded from the SODECA website or the QuickFan selector programme.

CENTRIFUGAL FANS AND IN-LINE DUCT EXTRACTOR FANS

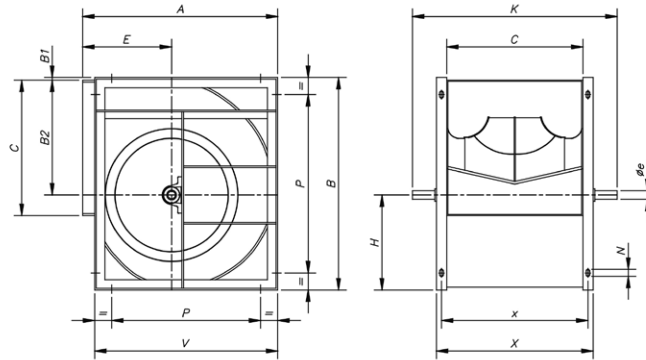
Dimensions mm

CDXR_200...250



	A	B	B1	B2	C	E	øe	H	K	N	P	V	X	x
CDXR-200	343	370	3	215	256	164	20	152	420	11x16	224	306	306	281
CDXR-250	419	461	4	270	322	195	20	187	490	11x16	224	384	372	347

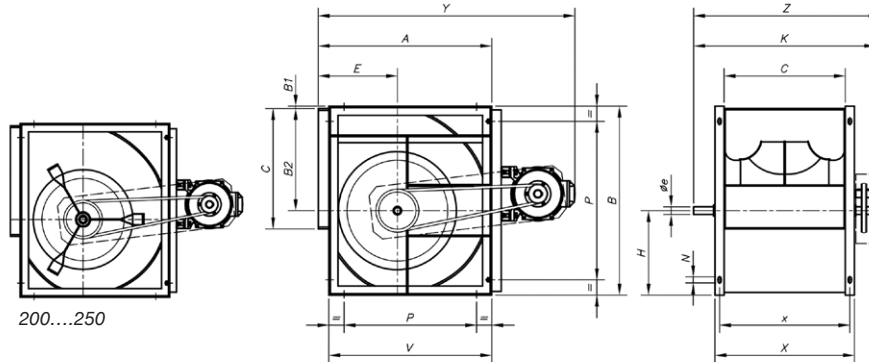
CDXR_315...1000



	A	B	B1	B2	C	E	øe	H	K	N	P	V	X	x
CDXR-315	518	578	4	340	404	236	25	234	640	13x18	280	480	464	434
CDXR-355	578	655	6	383	453	261	30	266	700	13x18	355	548	533	493
CDXR-400	651	736	4.5	431.5	507	290	30	300	760	13x18	355	613	587	547
CDXR-450	728	827	5	486	569	322	35	336	845	13x18	530	681	649	609
CDXR-500	800	918	5	538	638	352	35	375	915	13x18	530	750	718	678
CDXR-560	893	1030	8	602	715	390	40	420	1000	13x18	530	845	815	765
CDXR-630	999	1157	7	678.5	801	434	45	471.5	1090	13x18	530	946	901	851
CDXR-710	1121	1303	7	765	898	485	50	531	1255	17x22	630	1058	998	948
CDXR-800	1250	1468	7	862	1007	535	60	599	1450	17x22	710	1181	1107	1057
CDXR-900	1408	1648	7	971	1130	604	65	670	1570	17x22	800	1319	1250	1180
CDXR-1000	1541	1810	9	765	1267	657	65	1036	1700	17x22	900	1462	1387	1317

Dimensions mm

**CDXRT
Assembly A
Standard
supply RD 90**



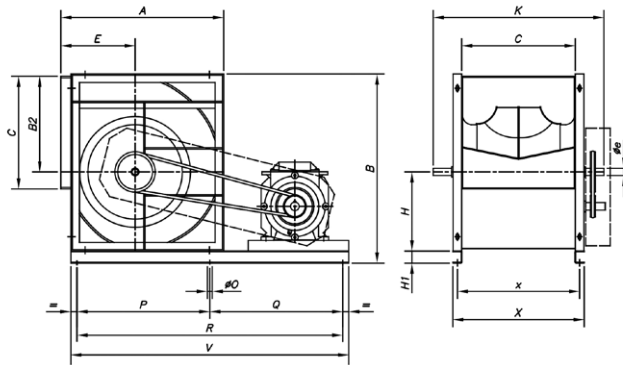
	A	B	B1	B2	C	E	øe	H	K	N	P	V	X	x	Y	Z
CDXRT-200-0.33	343	370	3	215	256	164	20	152	420	11x16	224	306	306	281	595	500
CDXRT-200-0.5	343	370	3	215	256	164	20	152	420	11x16	224	306	306	281	603	500
CDXRT-200-0.75	343	370	3	215	256	164	20	152	420	11x16	224	306	306	281	603	500
CDXRT-200-1	343	370	3	215	256	164	20	152	420	11x16	224	306	306	281	630	500
CDXRT-200-1.5	343	370	3	215	256	164	20	152	420	11x16	224	306	306	281	630	500
CDXRT-200-2	343	370	3	215	256	164	20	152	420	11x16	224	306	306	281	649	500
CDXRT-200-3	343	370	3	215	256	164	20	152	420	11x16	224	306	306	281	649	500
CDXRT-250-0.33	419	461	4	270	322	195	20	187	490	11x16	224	384	372	347	679	570
CDXRT-250-0.5	419	461	4	270	322	195	20	187	490	11x16	224	384	372	347	679	570
CDXRT-250-0.75	419	461	4	270	322	195	20	187	490	11x16	224	384	372	347	706	570
CDXRT-250-1	419	461	4	270	322	195	20	187	490	11x16	224	384	372	347	706	570
CDXRT-250-1.5	419	461	4	270	322	195	20	187	490	11x16	224	384	372	347	725	570
CDXRT-250-2	419	461	4	270	322	195	20	187	490	11x16	224	384	372	347	725	570
CDXRT-250-3	419	461	4	270	322	195	20	187	490	11x16	224	384	372	347	745	570
CDXRT-250-4	419	461	4	270	322	195	20	187	490	11x16	224	384	372	347	745	570

	A	B	B1	B2	C	E	øe	H	K	N	P	V	X	x	Y	Z
CDXRT-315-0.75	518	578	4	340	404	236	25	234	640	13x18	280	480	464	434	805	720
CDXRT-315-1	518	578	4	340	404	236	25	234	640	13x18	280	480	464	434	805	720
CDXRT-315-1.5	518	578	4	340	404	236	25	234	640	13x18	280	480	464	434	824	720
CDXRT-315-2	518	578	4	340	404	236	25	234	640	13x18	280	480	464	434	824	720
CDXRT-315-3	518	578	4	340	404	236	25	234	640	13x18	280	480	464	434	844	720
CDXRT-315-4	518	578	4	340	404	236	25	234	640	13x18	280	480	464	434	844	720
CDXRT-355-0.75	578	655	6	383	453	261	30	266	700	13x18	355	548	533	493	865	780
CDXRT-355-1	578	655	6	383	453	261	30	266	700	13x18	355	548	533	493	865	780
CDXRT-355-1.5	578	655	6	383	453	261	30	266	700	13x18	355	548	533	493	884	780
CDXRT-355-2	578	655	6	383	453	261	30	266	700	13x18	355	548	533	493	884	780
CDXRT-355-3	578	655	6	383	453	261	30	266	700	13x18	355	548	533	493	904	780
CDXRT-355-4	578	655	6	383	453	261	30	266	700	13x18	355	548	533	493	904	780
CDXRT-400-1.5	651	736	4.5	431.5	507	290	30	300	760	13x18	355	613	587	547	957	840
CDXRT-400-2	651	736	4.5	431.5	507	290	30	300	760	13x18	355	613	587	547	957	840
CDXRT-400-3	651	736	4.5	431.5	507	290	30	300	760	13x18	355	613	587	547	977	840
CDXRT-400-4	651	736	4.5	431.5	507	290	30	300	760	13x18	355	613	587	547	977	840
CDXRT-450-1.5	728	827	5	486	569	322	35	336	845	13x18	530	681	649	609	1034	925
CDXRT-450-2	728	827	5	486	569	322	35	336	845	13x18	530	681	649	609	1034	925
CDXRT-450-3	728	827	5	486	569	322	35	336	845	13x18	530	681	649	609	1054	925
CDXRT-450-4	728	827	5	486	569	322	35	336	845	13x18	530	681	649	609	1054	925
CDXRT-500-1.5	800	918	5	538	638	352	35	375	915	13x18	530	750	718	678	1106	995
CDXRT-500-2	800	918	5	538	638	352	35	375	915	13x18	530	750	718	678	1106	995
CDXRT-500-3	800	918	5	538	638	352	35	375	915	13x18	530	750	718	678	1126	995
CDXRT-500-4	800	918	5	538	638	352	35	375	915	13x18	530	750	718	678	1126	995
CDXRT-560-2	893	1030	8	602	715	390	40	420	1000	13x18	530	845	815	765	1200	1080
CDXRT-560-3	893	1030	8	602	715	390	40	420	1000	13x18	530	845	815	765	1220	1080
CDXRT-560-4	893	1030	8	602	715	390	40	420	1000	13x18	530	845	815	765	1220	1080
CDXRT-630-2	999	1157	7	678.5	801	434	45	471.5	1090	13x18	530	946	901	851	1325	1170
CDXRT-630-3	999	1157	7	678.5	801	434	45	471.5	1090	13x18	530	946	901	851	1325	1170
CDXRT-630-4	999	1157	7	678.5	801	434	45	471.5	1090	13x18	530	946	901	851	1325	1170
CDXRT-710-3	1121	1303	7	765	898	485	50	531	1255	17x22	630	1058	998	948	1447	1335
CDXRT-710-4	1121	1303	7	765	898	485	50	531	1255	17x22	630	1058	998	948	1447	1335
CDXRT-800-4	1250	1468	7	862	1007	535	60	599	1450	17x22	710	1171	1107	1057	1626	1530

CENTRIFUGAL FANS AND IN-LINE DUCT EXTRACTOR FANS

Dimensions mm

CDXRT
Assembly B
Standard
supply RD 90

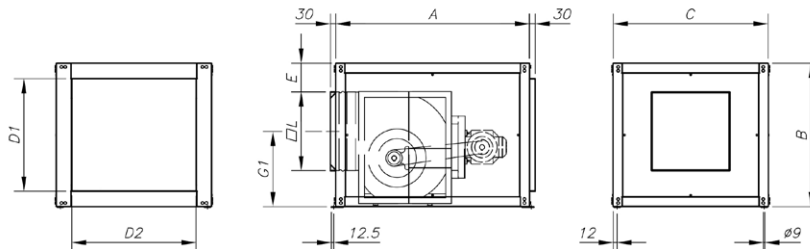


	A	B	B2	C	E	øe	H	H1	K	øO	P	Q	R	V	x	X
CDXRT-315-5.5	518	638	340	404	236	25	234	60	640	8	-	-	860	950	434	464
CDXRT-315-7.5	518	638	340	404	236	25	234	60	640	8	-	-	860	950	434	464
CDXRT-355-5.5	578	715	383	453	261	30	266	60	700	8	-	-	1020	1110	493	533
CDXRT-355-7.5	578	715	383	453	261	30	266	60	700	8	-	-	1020	1110	493	533
CDXRT-400-5.5	651	796	431.5	507	290	30	300	60	760	10	-	-	1120	1210	547	587
CDXRT-400-7.5	651	796	431.5	507	290	30	300	60	760	10	-	-	1120	1210	547	587
CDXRT-400-10	651	796	431.5	507	290	30	300	60	760	10	-	-	1120	1210	547	587
CDXRT-450-5.5	728	887	486	569	322	35	336	60	845	10	-	-	1240	1330	609	649
CDXRT-450-7.5	728	887	486	569	322	35	336	60	845	10	-	-	1240	1330	609	649
CDXRT-450-10	728	887	486	569	322	35	336	60	845	10	-	-	1240	1330	609	649
CDXRT-450-15	728	887	486	569	322	35	336	60	845	10	-	-	1240	1330	609	649
CDXRT-500-5.5	800	978	538	638	352	35	375	60	915	10	670	670	1340	1430	678	718
CDXRT-500-7.5	800	978	538	638	352	35	375	60	915	10	670	670	1340	1430	678	718
CDXRT-500-10	800	978	538	638	352	35	375	60	915	10	670	670	1340	1430	678	718
CDXRT-500-15	800	978	538	638	352	35	375	60	915	10	670	670	1340	1430	678	718
CDXRT-500-20	800	978	538	638	352	35	375	60	915	10	670	670	1340	1430	678	718
CDXRT-560-5.5	893	1090	602	715	390	40	420	60	1000	10	745	745	1490	1580	765	815
CDXRT-560-7.5	893	1090	602	715	390	40	420	60	1000	10	745	745	1490	1580	765	815
CDXRT-560-10	893	1090	602	715	390	40	420	60	1000	10	745	745	1490	1580	765	815
CDXRT-560-15	893	1090	602	715	390	40	420	60	1000	10	745	745	1490	1580	765	815
CDXRT-560-20	893	1090	602	715	390	40	420	60	1000	10	745	745	1490	1580	765	815
CDXRT-630-5.5	999	1217	678.5	801	434	45	471.5	60	1090	10	820	790	1610	1700	851	901
CDXRT-630-7.5	999	1217	678.5	801	434	45	471.5	60	1090	10	820	790	1610	1700	851	901
CDXRT-630-10	999	1217	678.5	801	434	45	471.5	60	1090	10	820	790	1610	1700	851	901
CDXRT-630-15	999	1217	678.5	801	434	45	471.5	60	1090	10	820	790	1610	1700	851	901
CDXRT-630-20	999	1217	678.5	801	434	45	471.5	60	1090	10	820	790	1610	1700	851	901
CDXRT-630-25	999	1217	678.5	801	434	45	471.5	60	1090	10	820	790	1610	1700	851	901
CDXRT-630-30	999	1217	678.5	801	434	45	471.5	60	1090	10	820	790	1610	1700	851	901
CDXRT-710-5.5	1121	1383	765	898	485	50	531	80	1255	10	955	955	1910	2000	948	998
CDXRT-710-7.5	1121	1383	765	898	485	50	531	80	1255	10	955	955	1910	2000	948	998
CDXRT-710-10	1121	1383	765	898	485	50	531	80	1255	10	955	955	1910	2000	948	998
CDXRT-710-15	1121	1383	765	898	485	50	531	80	1255	10	955	955	1910	2000	948	998
CDXRT-710-20	1121	1383	765	898	485	50	531	80	1255	10	955	955	1910	2000	948	998
CDXRT-710-25	1121	1383	765	898	485	50	531	80	1255	10	955	955	1910	2000	948	998
CDXRT-710-30	1121	1383	765	898	485	50	531	80	1255	10	955	955	1910	2000	948	998
CDXRT-800-5.5	1250	1548	862	1007	535	60	599	80	1450	13	1106	1004	2110	2200	1057	1107
CDXRT-800-7.5	1250	1548	862	1007	535	60	599	80	1450	13	1106	1004	2110	2200	1057	1107
CDXRT-800-10	1250	1548	862	1007	535	60	599	80	1450	13	1106	1004	2110	2200	1057	1107
CDXRT-800-15	1250	1548	862	1007	535	60	599	80	1450	13	1106	1004	2110	2200	1057	1107
CDXRT-800-20	1250	1548	862	1007	535	60	599	80	1450	13	1106	1004	2110	2200	1057	1107
CDXRT-800-25	1250	1548	862	1007	535	60	599	80	1450	13	1106	1004	2110	2200	1057	1107
CDXRT-800-30	1250	1548	862	1007	535	60	599	80	1450	13	1106	1004	2110	2200	1057	1107
CDXRT-800-40	1250	1548	862	1007	535	60	599	80	1450	13	1106	1004	2110	2200	1057	1107
CDXRT-900-5.5	1408	1748	971	1130	604	65	670	100	1570	13	1244	1066	2310	2400	1180	1250
CDXRT-900-7.5	1408	1748	971	1130	604	65	670	100	1570	13	1244	1066	2310	2400	1180	1250
CDXRT-900-10	1408	1748	971	1130	604	65	670	100	1570	13	1244	1066	2310	2400	1180	1250
CDXRT-900-15	1408	1748	971	1130	604	65	670	100	1570	13	1244	1066	2310	2400	1180	1250
CDXRT-900-20	1408	1748	971	1130	604	65	670	100	1570	13	1244	1066	2310	2400	1180	1250
CDXRT-900-25	1408	1748	971	1130	604	65	670	100	1570	13	1244	1066	2310	2400	1180	1250

Dimensions mm

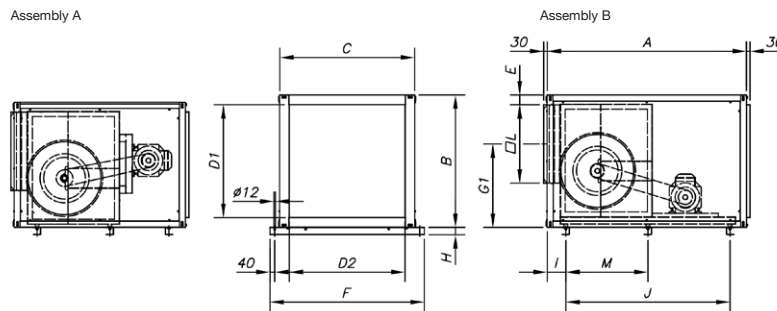
	A	B	B2	C	E	øe	H	H1	K	øO	P	Q	R	V	x	X
CDXRT-900-30	1408	1748	971	1130	604	65	670	100	1570	13	1244	1066	2310	2400	1180	1250
CDXRT-900-40	1408	1748	971	1130	604	65	670	100	1570	13	1244	1066	2310	2400	1180	1250
CDXRT-900-50	1408	1748	971	1130	604	65	670	100	1570	13	1244	1066	2310	2400	1180	1250
CDXRT-900-60	1408	1748	971	1130	604	65	670	100	1570	13	1244	1066	2310	2400	1180	1250
CDXRT-1000-7.5	1541	1910	1066	1267	657	65	735	100	1700	13	1387	1123	2510	2600	1317	1387
CDXRT-1000-10	1541	1910	1066	1267	657	65	735	100	1700	13	1387	1123	2510	2600	1317	1387
CDXRT-1000-15	1541	1910	1066	1267	657	65	735	100	1700	13	1387	1123	2510	2600	1317	1387
CDXRT-1000-20	1541	1910	1066	1267	657	65	735	100	1700	13	1387	1123	2510	2600	1317	1387
CDXRT-1000-25	1541	1910	1066	1267	657	65	735	100	1700	13	1387	1123	2510	2600	1317	1387
CDXRT-1000-30	1541	1910	1066	1267	657	65	735	100	1700	13	1387	1123	2510	2600	1317	1387
CDXRT-1000-40	1541	1910	1066	1267	657	65	735	100	1700	13	1387	1123	2510	2600	1317	1387
CDXRT-1000-50	1541	1910	1066	1267	657	65	735	100	1700	13	1387	1123	2510	2600	1317	1387
CDXRT-1000-60	1541	1910	1066	1267	657	65	735	100	1700	13	1387	1123	2510	2600	1317	1387
CDXRT-1000-75	1541	1910	1066	1267	657	65	735	100	1700	13	1387	1123	2510	2600	1317	1387

**CJDXR
Assembly A
Standard
supply RD 90**



	A	B	C	D1	D2	E	G1	L
CJDXR-200	750	465	500	305	343	83	253.5	257
CJDXR-250	885	555	650	395	493	83	310	323.5

**CJDXR
Assembly A and B
Standard
supply RD 90**



	A	B	C	D1	D2	E	F	G1	H	I	J	L	M
CJDXR-315	1100	745	800	640	520	83.5	960	458	60	148	860	405	-
CJDXR-355	1265	815	800	655	640	84.5	960	503.5	60	165	1020	454	-
CJDXR-400	1370	900	900	740	743	82	1060	564	60	152	1120	508	-
CJDXR-450	1480	990	1000	830	843	80.5	1160	623.5	60	152	1240	570	-
CJDXR-500	1625	1080	1100	920	942	80	1260	680.5	60	152	1340	639	670
CJDXR-560	1760	1195	1200	1035	1040	82.5	1360	851.5	60	165	1490	716	745
CJDXR-630	1880	1322	1300	1162	1142	80	1460	841	60	152	1610	802	820
CJDXR-710	2180	1500	1500	1340	1342	82	1660	968.5	80	168	1910	899	955