

# CSXR CSXRT CJSXR



**CSXR:** Single inlet, belt-driven centrifugal fans with shaft outlet and backward-curved impeller.

**CSXRT:** Single inlet, belt-driven centrifugal fans fitted with electric motors, a set of pulleys, belts, protectors and impellers with backward-curved impeller.

**CJSXR:** Ventilation units with backward-curved impeller, acoustic insulation and fitted with CSXR series fans mounted on rubber shock-absorbers.



CSXR



CSXRT



CJSXR

**Fan:**

- Galvanised sheet steel casing.
- Backward-curved impeller made of galvanised sheet steel.
- Galvanised sheet steel structure with thermal and acoustic insulation (CJSXR).
- Cable gland for cable inlet (CJSXR).

**Finish:**

- Anti-corrosive finish on galvanised sheet steel.

**On request:**

- Different outlet nozzle positions.
- Special windings for different voltages.
- With 2-speed motors.

**Motor:**

- IE3 efficiency motors for powers equal to or greater than 0.75 kW except single-phase, 2-speed and 8-pole.
- Class F motors with ball bearings and IP55 protection.
- Three-phase 230/400 V-50 Hz (up to 4 kW) and 400/690 V-50 Hz (powers higher than 4 kW).
- Maximum temperature of air to be carried: CSXR and CSXRT: -20 °C +85 °C CJSXR: -20 °C + 60 °C.

## Order code

**CSXR — 450**



—

450



CSXR: Belt-driven single inlet centrifugal fans with shaft outlet and backward-curved impeller

Impeller size mm

**CSXRT — 450 — 3**



450



—



CSXRT: Single inlet, belt-driven centrifugal fans fitted with electric motors, a set of pulleys and protectors and backward-curved impeller

Impeller size in mm

Motor power (HP)

CJSXR: Ventilation units with backward-curved impeller

## Technical characteristics

Model	Max. speed (r/min)	Maximum mechanical power (kW)	Maximum flow rate (m <sup>3</sup> /h)	Air temperature (°C)		Weight (kg)	According to ErP
				min.	max.		
CSXR-315	3200	2.00	5070	-20	+85	27	2015
CSXR-355	2800	2.50	6400	-20	+85	39	2015
CSXR-400	2400	3.00	8110	-20	+85	44	2015
CSXR-450	2200	4.00	10480	-20	+85	55	2015
CSXR-500	2200	6.00	13620	-20	+85	70	2015
CSXR-560	2000	8.00	17350	-20	+85	110	2015
CSXR-630	1600	8.00	20840	-20	+85	125	2015
CSXR-710	1400	9.00	24610	-20	+85	175	2015
CSXR-800	1600	25.00	39670	-20	+85	245	2015
CSXR-900	1400	30.00	49860	-20	+85	350	2015
CSXR-1000	1400	45.00	64910	-20	+85	435	2015

# CENTRIFUGAL FANS AND IN-LINE DUCT EXTRACTOR FANS

## Technical characteristics

Model	Speed (r/min)	Maximum admissible current			Installed power (kW)	Maximum flow rate (m <sup>3</sup> /h)	Sound pressure level CSXRT (dBA)	Approx. weight CSXRT (kg)	Air temperature (°C) According to ErP		
		230 V	400 V	690 V					min.	max.	
CSXRT CJSXR 315-1 IE3	2100	2.78	1.60	0.75	3580	70	61	-20	+85	2015	
CSXRT CJSXR 315-1.5 IE3	2385	4.07	2.34	1.10	4070	74	67	-20	+85	2015	
CSXRT CJSXR 315-2 IE3	2650	5.48	3.15	1.50	4520	76	71	-20	+85	2015	
CSXRT CJSXR 315-3 IE3	2975	7.93	4.56	2.20	5070	79	79	-20	+85	2015	
CSXRT CJSXR 355-0.75	1545	2.87	1.66	0.55	3780	67	66	-20	+85	2015	
CSXRT CJSXR 355-1 IE3	1715	2.78	1.60	0.75	4200	69	75	-20	+85	2015	
CSXRT CJSXR 355-1.5 IE3	1950	4.07	2.34	1.10	4770	72	81	-20	+85	2015	
CSXRT CJSXR 355-2 IE3	2165	5.48	3.15	1.50	5300	74	84	-20	+85	2015	
CSXRT CJSXR 355-3 IE3	2465	7.93	4.56	2.20	6030	77	93	-20	+85	2015	
CSXRT CJSXR 355-4 IE3	2615	10.70	6.15	3.00	6400	79	99	-20	+85	2015	
CSXRT CJSXR 400-1 IE3	1425	2.78	1.60	0.75	5070	67	81	-20	+85	2015	
CSXRT CJSXR 400-1.5 IE3	1620	4.07	2.34	1.10	5760	71	87	-20	+85	2015	
CSXRT CJSXR 400-2 IE3	1795	5.48	3.15	1.50	6400	73	90	-20	+85	2015	
CSXRT CJSXR 400-3 IE3	2045	7.93	4.56	2.20	7290	76	99	-20	+85	2015	
CSXRT CJSXR 400-4 IE3	2275	10.70	6.15	3.00	8110	78	105	-20	+85	2015	
CSXRT CJSXR 450-1 IE3	1185	2.78	1.60	0.75	5930	66	92	-20	+85	2015	
CSXRT CJSXR 450-1.5 IE3	1350	4.07	2.34	1.10	6740	69	98	-20	+85	2015	
CSXRT CJSXR 450-2 IE3	1495	5.48	3.15	1.50	7490	71	102	-20	+85	2015	
CSXRT CJSXR 450-3 IE3	1705	7.93	4.56	2.20	8530	74	110	-20	+85	2015	
CSXRT CJSXR 450-4 IE3	1895	10.70	6.15	3.00	9480	77	116	-20	+85	2015	
CSXRT CJSXR 450-5.5 IE3	2095	13.90	8.00	4.00	10480	79	128	-20	+85	2015	
CSXRT CJSXR 500-1.5 IE3	1115	4.07	2.34	1.10	7580	67	114	-20	+85	2015	
CSXRT CJSXR 500-2 IE3	1240	5.48	3.15	1.50	8420	70	117	-20	+85	2015	
CSXRT CJSXR 500-3 IE3	1415	7.93	4.56	2.20	9590	73	126	-20	+85	2015	
CSXRT CJSXR 500-4 IE3	1570	10.70	6.15	3.00	10660	75	132	-20	+85	2015	
CSXRT CJSXR 500-5.5 IE3	1735	13.90	8.00	4.00	11780	77	144	-20	+85	2015	
CSXRT CJSXR 500-7.5 IE3	1935	10.30	5.97	5.50	13140	80	169	-20	+85	2015	
CSXRT CJSXR 500-10 IE3	2005	13.90	8.06	7.50	13620	80	178	-20	+85	2015	
CSXRT CJSXR 560-1 IE3	835	2.78	1.60	0.75	7720	58	155	-20	+85	2015	
CSXRT CJSXR 560-1.5 IE3	950	4.07	2.34	1.10	8770	62	161	-20	+85	2015	
CSXRT CJSXR 560-2 IE3	1055	5.48	3.15	1.50	9740	65	164	-20	+85	2015	
CSXRT CJSXR 560-3 IE3	1200	7.93	4.56	2.20	11090	68	173	-20	+85	2015	
CSXRT CJSXR 560-4 IE3	1335	10.70	6.15	3.00	12330	70	179	-20	+85	2015	
CSXRT CJSXR 560-5.5 IE3	1475	13.90	8.00	4.00	13620	73	191	-20	+85	2015	
CSXRT CJSXR 560-7.5 IE3	1645	10.30	5.97	5.50	15220	75	216	-20	+85	2015	
CSXRT CJSXR 560-10 IE3	1820	13.90	8.06	7.50	16850	78	225	-20	+85	2015	
CSXRT CJSXR 560-15 IE3	1875	21.40	12.40	11.00	17350	78	276	-20	+85	2015	
CSXRT CJSXR 630-1.5 IE3	775	4.07	2.34	1.10	10540	60	177	-20	+85	2015	
CSXRT CJSXR 630-2 IE3	860	5.48	3.15	1.50	11710	63	181	-20	+85	2015	
CSXRT CJSXR 630-3 IE3	980	7.93	4.56	2.20	13330	66	190	-20	+85	2015	
CSXRT CJSXR 630-4 IE3	1090	10.70	6.15	3.00	14830	68	196	-20	+85	2015	
CSXRT CJSXR 630-5.5 IE3	1205	13.90	8.00	4.00	16380	71	207	-20	+85	2015	
CSXRT CJSXR 630-7.5 IE3	1345	10.30	5.97	5.50	18280	74	233	-20	+85	2015	
CSXRT CJSXR 630-10 IE3	1490	13.90	8.06	7.50	20270	76	242	-20	+85	2015	
CSXRT CJSXR 630-15 IE3	1535	21.40	12.40	11.00	20840	77	293	-20	+85	2015	
CSXRT CJSXR 710-1.5 IE3	635	4.07	2.34	1.10	11960	58	229	-20	+85	2015	
CSXRT CJSXR 710-2 IE3	705	5.48	3.15	1.50	13300	60	232	-20	+85	2015	
CSXRT CJSXR 710-3 IE3	800	7.93	4.56	2.20	15130	63	241	-20	+85	2015	
CSXRT CJSXR 710-4 IE3	890	10.70	6.15	3.00	16830	66	247	-20	+85	2015	
CSXRT CJSXR 710-5.5 IE3	985	13.90	8.00	4.00	18580	69	259	-20	+85	2015	
CSXRT CJSXR 710-7.5 IE3	1100	10.30	5.97	5.50	20730	71	284	-20	+85	2015	
CSXRT CJSXR 710-10 IE3	1215	13.90	8.06	7.50	22990	74	293	-20	+85	2015	
CSXRT CJSXR 710-15 IE3	1305	21.40	12.40	11.00	24610	75	344	-20	+85	2015	
CSXRT - 800-3 IE3	650	9.08	5.22	2.20	17350	61	331	-20	+85	2015	
CSXRT - 800-4 IE3	725	12.00	6.91	3.00	19290	64	350	-20	+85	2015	
CSXRT - 800-5.5 IE3	800	15.60	8.99	4.00	21300	66	360	-20	+85	2015	
CSXRT - 800-7.5 IE3	890	11.20	6.49	5.50	23770	69	368	-20	+85	2015	
CSXRT - 800-10 IE3	990	14.80	8.58	7.50	26370	71	389	-20	+85	2015	
CSXRT - 800-15 IE3	1125	22.00	12.80	11.00	29950	75	424	-20	+85	2015	
CSXRT - 800-20 IE3	1245	28.00	16.20	15.00	33210	77	478	-20	+85	2015	
CSXRT - 800-25 IE3	1335	35.00	20.30	18.50	35610	79	496	-20	+85	2015	
CSXRT - 800-30 IE3	1415	41.60	24.10	22.00	37750	80	505	-20	+85	2015	
CSXRT - 800-40 IE3	1490	55.40	32.10	30.00	39670	81	687	-20	+85	2015	
CSXRT - 900-3 IE3	535	9.08	5.22	2.20	20670	59	443	-20	+85	2015	
CSXRT - 900-4 IE3	595	12.00	6.91	3.00	22990	62	462	-20	+85	2015	
CSXRT - 900-5.5 IE3	655	15.60	8.99	4.00	25390	64	472	-20	+85	2015	
CSXRT - 900-7.5 IE3	730	11.20	6.49	5.50	28350	67	480	-20	+85	2015	

## Technical characteristics

Model	Speed (r/min)	Maximum admissible current			Installed power (kW)	Maximum flow rate (m <sup>3</sup> /h)	Sound pressure level CSXRT (dBA)	Approx. weight CSXRT (kg)	Air temperature (°C) According to ErP		
		230 V	400 V	690 V					min.	max.	
CSXRT - 900-10 IE3	810		14.80	8.58	7.50	31420	70	501	-20	+85	2015
CSXRT - 900-15 IE3	920		22.00	12.80	11.00	35690	73	536	-20	+85	2015
CSXRT - 900-20 IE3	1020		28.00	16.20	15.00	39590	75	590	-20	+85	2015
CSXRT - 900-25 IE3	1095		35.00	20.30	18.50	42450	77	608	-20	+85	2015
CSXRT - 900-30 IE3	1160		41.60	24.10	22.00	44990	79	617	-20	+85	2015
CSXRT - 900-40 IE3	1285		55.40	32.10	30.00	49860	81	800	-20	+85	2015
CSXRT - 1000-4 IE3	500	12.00	6.91		3.00	26140	59	550	-20	+85	2015
CSXRT - 1000-5.5 IE3	555	15.60	8.99		4.00	28870	62	560	-20	+85	2015
CSXRT - 1000-7.5 IE3	615		11.20	6.49	5.50	32210	64	568	-20	+85	2015
CSXRT - 1000-10 IE3	685		14.80	8.58	7.50	35720	67	589	-20	+85	2015
CSXRT - 1000-15 IE3	775		22.00	12.80	11.00	40600	70	624	-20	+85	2015
CSXRT - 1000-20 IE3	860		28.00	16.20	15.00	45020	73	678	-20	+85	2015
CSXRT - 1000-25 IE3	925		35.00	20.30	18.50	48270	74	696	-20	+85	2015
CSXRT - 1000-30 IE3	980		41.60	24.10	22.00	51130	76	705	-20	+85	2015
CSXRT - 1000-40 IE3	1085		55.40	32.10	30.00	56710	78	888	-20	+85	2015
CSXRT - 1000-50 IE3	1165		67.20	39.00	37.00	60810	80	943	-20	+85	2015
CSXRT - 1000-60 IE3	1245		84.40	48.90	45.00	64910	82	1154	-20	+85	2015

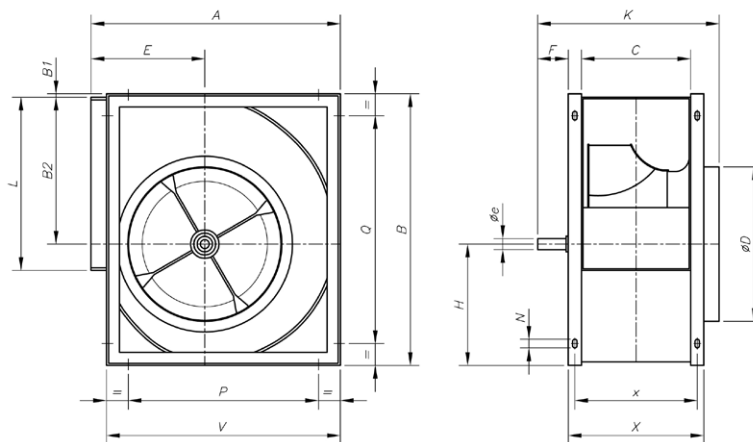


### Erp. (Energy Related Products)

Information on Directive 2009/125/EC can be downloaded from the SODECA website or the QuickFan selector programme.

## Dimensions mm

CSXR

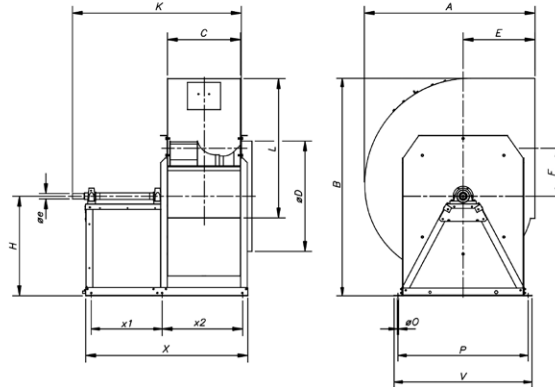


	A	B	B1	B2	C	øD	øe	E	F	H	K	L	N	P	Q	V	X	x
CSXR-315	518	578	3	340	223	322	25	236	83	235	395	404	13x18	280	280	480	283	253
CSXR-355	578	655	6	383	247	362	30	261	78	266	425	453	13x18	355	355	548	327	287
CSXR-400	651	736	4.5	431.5	274	404	30	290	78	300	452	507	13x18	355	355	613	354	314
CSXR-450	726	827	5	486	308	448	35	322	92	336	500	569	13x18	530	530	681	388	348
CSXR-500	800	918	5	538	344	510	35	352	92	375	535	638	13x18	530	530	750	424	394
CSXR-560	893	1030	8	602	383	570	40	390	87	420	600	715	13x18	530	530	845	483	433
CSXR-630	999	1157	7	678.5	432	635	45	434	87	471.5	650	801	13x18	530	530	946	532	482
CSXR-710	1121	1303	7	765	478	722	50	485	115	531	725	898	17x22	630	630	1058	578	528

# CENTRIFUGAL FANS AND IN-LINE DUCT EXTRACTOR FANS

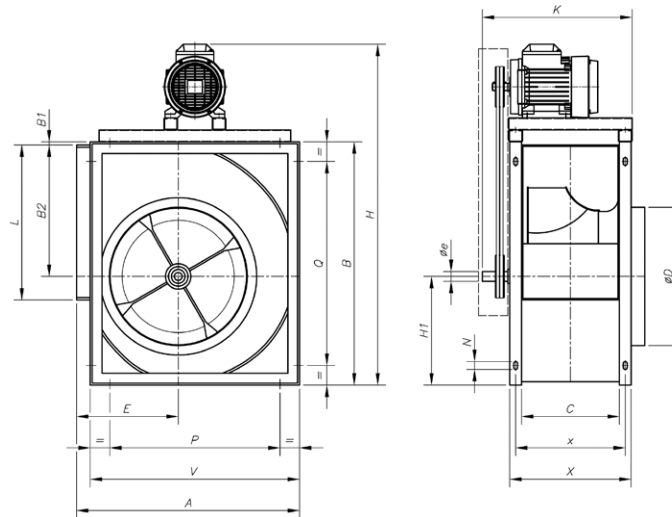
## Dimensions mm

### CSXR



	A	B	C	L	øD	H	øe	E	F	K	X	øO	P	V	x1	x2
CSXR-800	1250	1615.5	533	1010	798	762	42	535	358.5	1291.5	1231.5	14	980	1050	515	614
CSXR-900	1408	1475	595	1130	898	850	48	604	407	1353.5	1293.5	14	1080	1150	515	676
CSXR-1000	1541	1966	663	1260	998	900	48	651	433	1529.5	1468.5	14	1180	1250	642	729.5

### CSXRT Standard supply RD 90

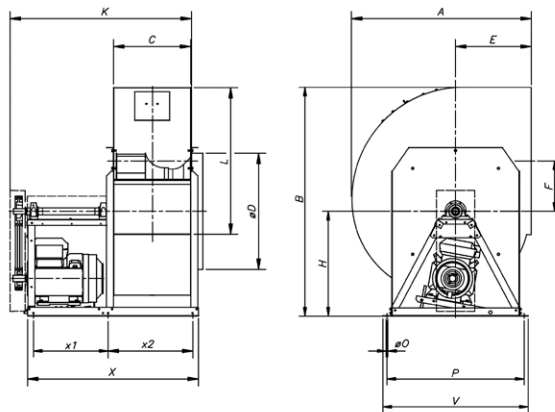


	A	B	B1	B2	C	øD	øe	E	H	H1	K	L	N	P	Q	V	X	x
CSXRT-315-1	518	578	3	340	223	322	25	236	855	235	395	404	13x18	280	280	480	283	253
CSXRT-315-1.5	518	578	3	340	223	322	25	236	855	235	395	404	13x18	280	280	480	283	253
CSXRT-315-2	518	578	3	340	223	322	25	236	875	235	395	404	13x18	280	280	480	283	253
CSXRT-315-3	518	578	3	340	223	322	25	236	875	235	395	404	13x18	280	280	480	283	253
CSXRT-355-0.75	578	655	6	383	247	362	30	261	910	266	425	453	13x18	355	355	548	327	287
CSXRT-355-1	578	655	6	383	247	362	30	261	930	266	425	453	13x18	355	355	548	327	287
CSXRT-355-1.5	578	655	6	383	247	362	30	261	930	266	425	453	13x18	355	355	548	327	287
CSXRT-355-2	578	655	6	383	247	362	30	261	945	266	425	453	13x18	355	355	548	327	287
CSXRT-355-3	578	655	6	383	247	362	30	261	945	266	425	453	13x18	355	355	548	327	287
CSXRT-355-4	578	655	6	383	247	362	30	261	963	266	425	453	13x18	355	355	548	327	287
CSXRT-400-1	651	736	4.5	431.5	274	404	30	290	1012	300	452	507	13x18	355	355	613	354	314
CSXRT-400-1.5	651	736	4.5	431.5	274	404	30	290	1012	300	452	507	13x18	355	355	613	354	314
CSXRT-400-2	651	736	4.5	431.5	274	404	30	290	1033	300	452	507	13x18	355	355	613	354	314
CSXRT-400-3	651	736	4.5	431.5	274	404	30	290	1033	300	452	507	13x18	355	355	613	354	314
CSXRT-400-4	651	736	4.5	431.5	274	404	30	290	1045	300	452	507	13x18	355	355	613	354	314
CSXRT-450-1	726	827	5	486	308	448	35	322	1100	336	500	569	13x18	530	530	681	388	348
CSXRT-450-1.5	726	827	5	486	308	448	35	322	1120	336	500	569	13x18	530	530	681	388	348
CSXRT-450-2	726	827	5	486	308	448	35	322	1120	336	500	569	13x18	530	530	681	388	348
CSXRT-450-3	726	827	5	486	308	448	35	322	1138	336	500	569	13x18	530	530	681	388	348
CSXRT-450-4	726	827	5	486	308	448	35	322	1138	336	500	569	13x18	530	530	681	388	348
CSXRT-450-5.5	726	827	5	486	308	448	35	322	1162	336	500	569	13x18	530	530	681	388	348
CSXRT-500-1.5	800	918	5	538	344	510	35	352	1214	375	535	638	13x18	530	530	750	424	394

### Dimensions mm

	A	B	B1	B2	C	øD	øe	E	H	H1	K	L	N	P	Q	V	X	x
CSXRT-500-2	800	918	5	538	344	510	35	352	1214	375	535	638	13x18	530	530	750	424	394
CSXRT-500-3	800	918	5	538	344	510	35	352	1228	375	535	638	13x18	530	530	750	424	394
CSXRT-500-4	800	918	5	538	344	510	35	352	1228	375	535	638	13x18	530	530	750	424	394
CSXRT-500-5.5	800	918	5	538	344	510	35	352	1255	375	535	638	13x18	530	530	750	424	394
CSXRT-500-7.5	800	918	5	538	344	510	35	352	1292	375	535	638	13x18	530	530	750	424	394
CSXRT-500-10	800	918	5	538	344	510	35	352	1292	375	535	638	13x18	530	530	750	424	394
CSXRT-560-1	893	1030	8	602	383	570	40	390	1325	420	600	715	13x18	530	530	845	483	433
CSXRT-560-1.5	893	1030	8	602	383	570	40	390	1325	420	600	715	13x18	530	530	845	483	433
CSXRT-560-2	893	1030	8	602	383	570	40	390	1325	420	600	715	13x18	530	530	845	483	433
CSXRT-560-3	893	1030	8	602	383	570	40	390	1340	420	600	715	13x18	530	530	845	483	433
CSXRT-560-4	893	1030	8	602	383	570	40	390	1340	420	600	715	13x18	530	530	845	483	433
CSXRT-560-5.5	893	1030	8	602	383	570	40	390	1365	420	600	715	13x18	530	530	845	483	433
CSXRT-560-7.5	893	1030	8	602	383	570	40	390	1410	420	600	715	13x18	530	530	845	483	433
CSXRT-560-10	893	1030	8	602	383	570	40	390	1410	420	600	715	13x18	530	530	845	483	433
CSXRT-560-15	893	1030	8	602	383	570	40	390	1464	420	600	715	13x18	530	530	845	483	433
CSXRT-630-1.5	999	1157	7	678.5	432	635	45	434	1470	471.5	650	801	13x18	530	530	946	532	482
CSXRT-630-2	999	1157	7	678.5	432	635	45	434	1470	471.5	650	801	13x18	530	530	946	532	482
CSXRT-630-3	999	1157	7	678.5	432	635	45	434	1470	471.5	650	801	13x18	530	530	946	532	482
CSXRT-630-4	999	1157	7	678.5	432	635	45	434	1470	471.5	650	801	13x18	530	530	946	532	482
CSXRT-630-5.5	999	1157	7	678.5	432	635	45	434	1492	471.5	650	801	13x18	530	530	946	532	482
CSXRT-630-7.5	999	1157	7	678.5	432	635	45	434	1531	471.5	650	801	13x18	530	530	946	532	482
CSXRT-630-10	999	1157	7	678.5	432	635	45	434	1531	471.5	650	801	13x18	530	530	946	532	482
CSXRT-630-15	999	1157	7	678.5	432	635	45	434	1590	471.5	650	801	13x18	530	530	946	532	482
CSXRT-710-1.5	1121	1303	7	765	478	722	50	485	1612	531	725	898	17x22	630	630	1058	578	528
CSXRT-710-2	1121	1303	7	765	478	722	50	485	1612	531	725	898	17x22	630	630	1058	578	528
CSXRT-710-3	1121	1303	7	765	478	722	50	485	1612	531	725	898	17x22	630	630	1058	578	528
CSXRT-710-4	1121	1303	7	765	478	722	50	485	1612	531	725	898	17x22	630	630	1058	578	528
CSXRT-710-5.5	1121	1303	7	765	478	722	50	485	1638	531	725	898	17x22	630	630	1058	578	528
CSXRT-710-7.5	1121	1303	7	765	478	722	50	485	1675	531	725	898	17x22	630	630	1058	578	528
CSXRT-710-10	1121	1303	7	765	478	722	50	485	1675	531	725	898	17x22	630	630	1058	578	528
CSXRT-710-15	1121	1303	7	765	478	722	50	485	1735	531	725	898	17x22	630	630	1058	578	528

### CSXRT



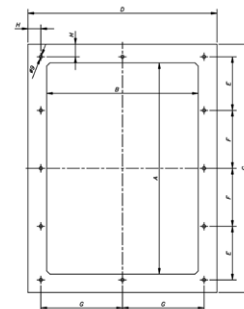
A B C L øD H E F

CSXRT-800	1250	1615.5	533	1010	798	762	535	358.5
CSXRT-900	1408	1475	595	1130	898	850	604	407
CSXRT-1000	1541	1966	663	1260	998	900	651	433

K X ø0 P V x1 x2

CSXRT-800	1321.5	1231.5	14	980	1050	515	614
CSXRT-900	1383.5	1293.5	14	1080	1150	515	676
CSXRT-1000	1559.5	1468.5	14	1180	1250	642	729.5

### Impulsion flange accessory



A B C D

CSXRT-800	1007	533	1063	589
CSXRT-900	1130	595	1186	651
CSXRT-1000	1267	663	1323	719

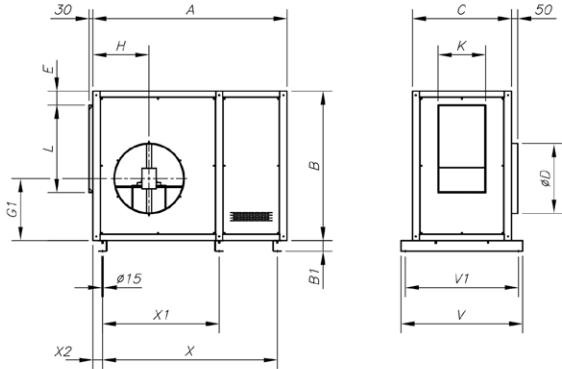
E F G H

CSXRT-800	268.5	250	281.5	13
CSXRT-900	280	300	312.5	13
CSXRT-1000	298.5	350	346.5	13

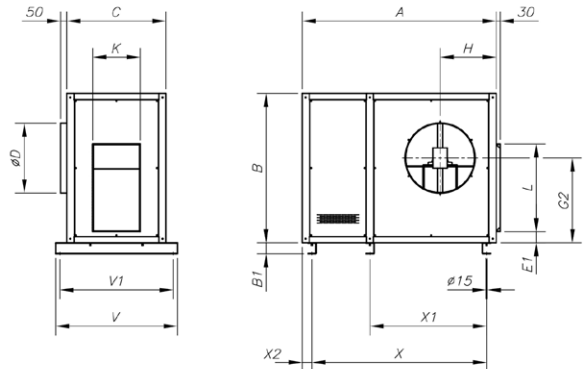
Dimensions mm

CJSXR

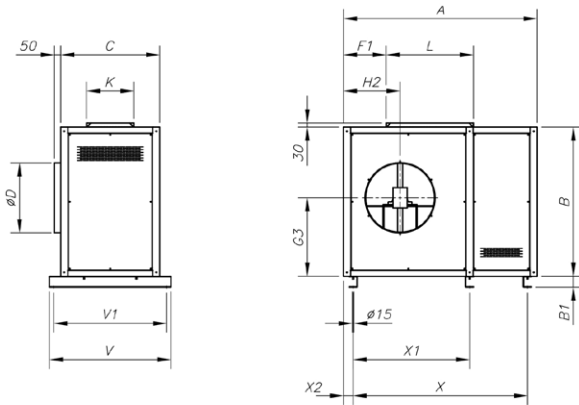
Standard supply horizontal impulsion (H) RD 90



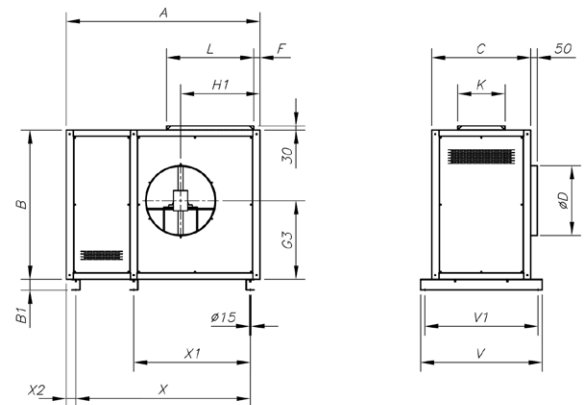
Horizontal impulsion on request (H) LG 90



Vertical impulsion on request (V) RD 0



Vertical impulsion on request (V) LG 0



	A	B	B1	C	ØD	E	E1	F	F1	G1	G2	G3	H	H1
CJSXR-315	1170	740	60	600	315	82	84.2	113	281	317.5	423.2	366.2	305	451.5
CJSXR-355	1265	815	60	650	365	85	86.5	112.5	302.5	347.2	470.2	398	338	496
CJSXR-400	1370	900	60	680	400	82	90.2	111	331	386.2	522.2	447.2	359	543
CJSXR-450	1480	990	60	716	448	82	91.2	112.8	360	422.2	577.2	491	383	598
CJSXR-500	1625	1080	60	760	510	80.5	91	111.7	381.3	461.2	629.2	534.2	409	650
CJSXR-560	1760	1195	60	810	580	86.8	94.2	128	426	506.2	696.2	590	462	731
CJSXR-630	1880	1322	60	850	635	85.2	89.6	113.4	455.6	557.7	768.7	648.2	488	792.5
CJSXR-710	2180	1500	80	910	710	103	108.2	100	491	632.2	873.2	737.2	562	865

	H2	L	K	V	V1	X	X1	X2
CJSXR-315	346.3	405	224	760	680	880	-	155
CJSXR-355	373	454	248	810	730	1020	-	152
CJSXR-400	407	508	275	840	760	1120	-	152
CJSXR-450	443	570	309	876	796	1240	-	152
CJSXR-500	482	639	345	920	840	1340	670	152
CJSXR-560	540	716	384	970	890	1490	745	152
CJSXR-630	578.5	802	433	1010	930	820	1610	158
CJSXR-710	624	899	479	1070	990	955	1910	168